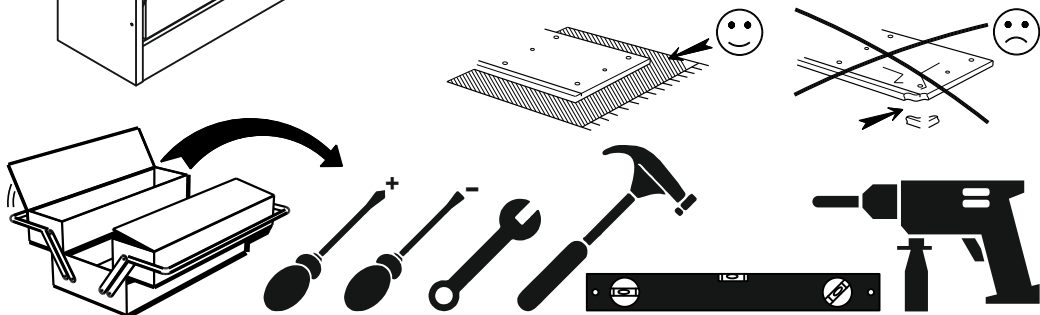
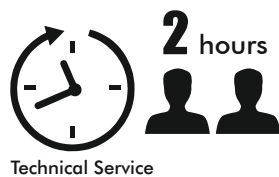
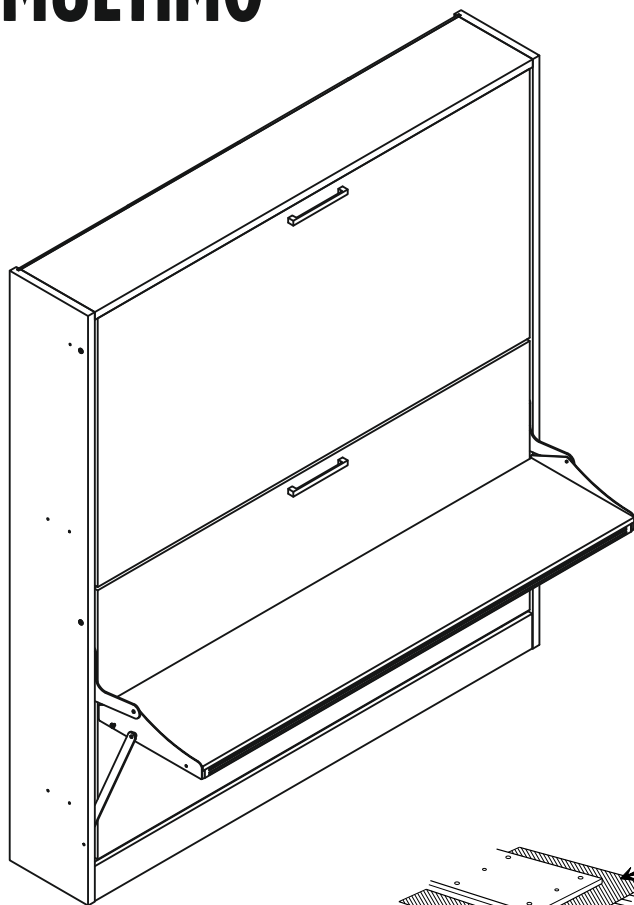




MULTIMO

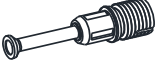


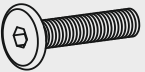
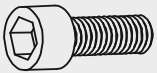
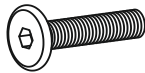


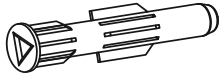


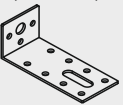
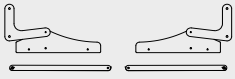
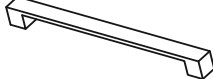

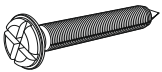
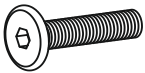
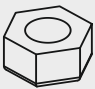
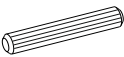

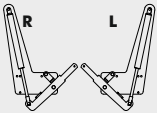
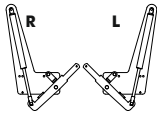
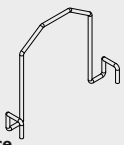
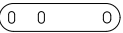
A 205 PENSIERO T




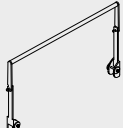
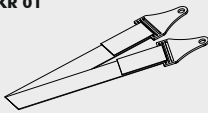
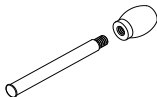

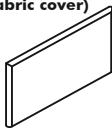
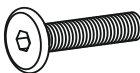
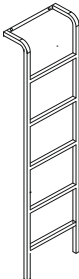


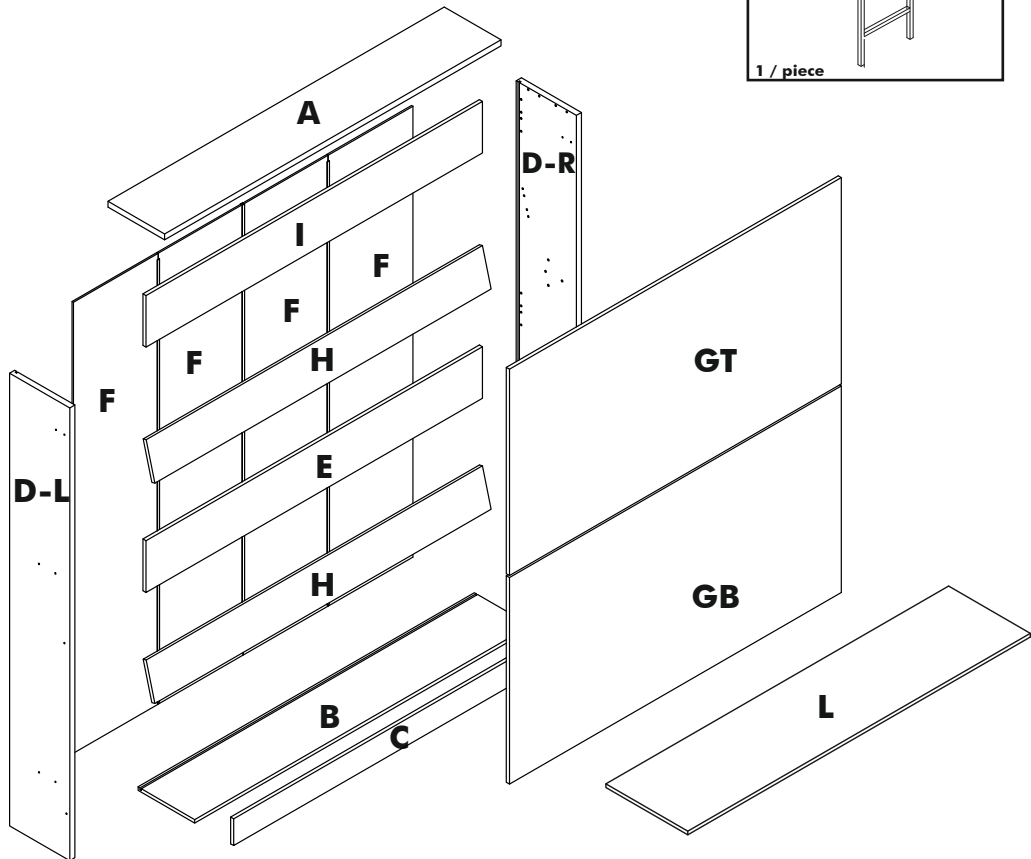
Assembly Instructions

Track Title	Piece	(inch)			(mm)			
		Thickness	Length	Width	Piece	Thick	Height	Most
A	1	1,18	77,01	12,99	1	30	1956	330
B	1	0,71	77,01	12,99	1	18	1956	330
C	1	0,71	77,01	5,31	1	18	1956	135
D	2	1,18	89,76	13,78	2	30	2280	350
E	1	0,71	77,01	10,24	1	18	1956	260
F	4	0,31	89,41	19,37	4	8	2271	492
H	2	0,71	77,01	7,87	2	18	1956	200
I	1	0,71	77,01	10,24	1	18	1956	260
L	1	0,71	77,01	10,24	1	18	1924	450
GT	1	0,71	40,94	75,98	1	18	1040	1930
GB	1	0,71	40,94	75,98	1	18	1040	1930

Accessories List

MNX 02  32 / piece IM - 01 (6x30) mm	MNG - 01  32 / piece CT - 02 (6x30) mm	OT-054  4 / piece SG - 01	CT - 01 (6x40) mm  8 / piece BU - 01
 8 / piece DD - 01 (R10)	 4 / piece VD - 01(6X70) mm	 2 / piece PL - 01 (6x19x2) mm	 3 / piece DSE - 01 (40x90x32) mm
 3 / piece SC - 32	 3 / piece KP - 01 (224) mm	 3 / piece VKP - 01 (22) mm	 3 / piece VD - 02 (3,5x25) mm
 2 / piece CT - 06 (6x15) mm	 2 / piece SN - 01 (M6)	 4 / piece KVL 01	 16 / piece VTB - 01 (4,8x16) mm
 2 / piece MKZ - 02 UPPER BUNK	 4 / piece MKZ - 02 LOWER BED	 36 / piece TTC 01	 12 / piece SC-25
 2 / piece 350N	 2 / piece 700N	 8 / piece	 1 / piece

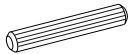
<p>PL - 01 (6x19x2) mm</p>  <p>4 / piece</p>	<p>AL - 01</p>  <p>4</p>	<p>AL - 02</p>  <p>5</p>	<p>KOR 01</p>  <p>4 / piece</p>
<p>AKR 01</p>  <p>2 / piece</p>	<p>KLT 01</p>  <p>1 / piece</p>	<p>TAP - 01</p>  <p>21 / piece</p>	<p>KLF 01 (fabric cover)</p>  <p>5 / piece</p>
<p>CT - 04 (6x20) mm</p>  <p>2 / piece</p>			<p>MRD 01</p>  <p>1 / piece</p>



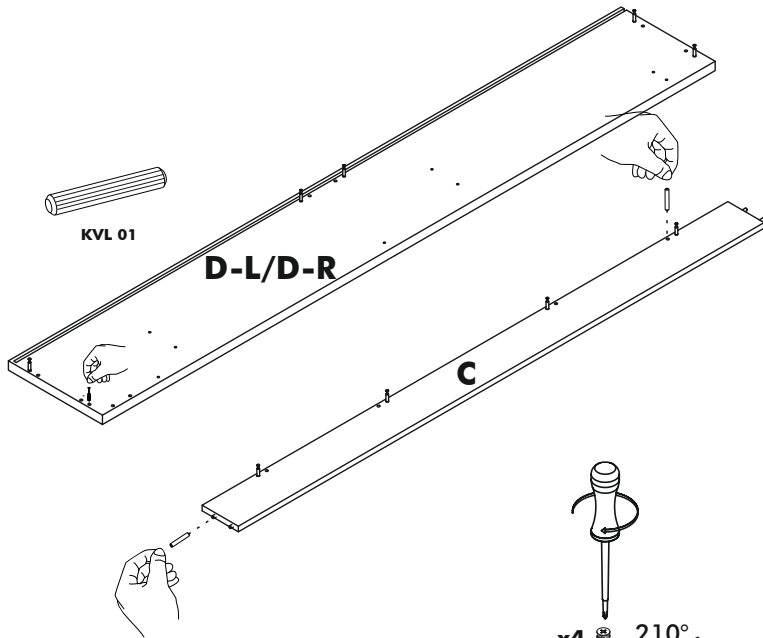
STEP 1



MNX - 02



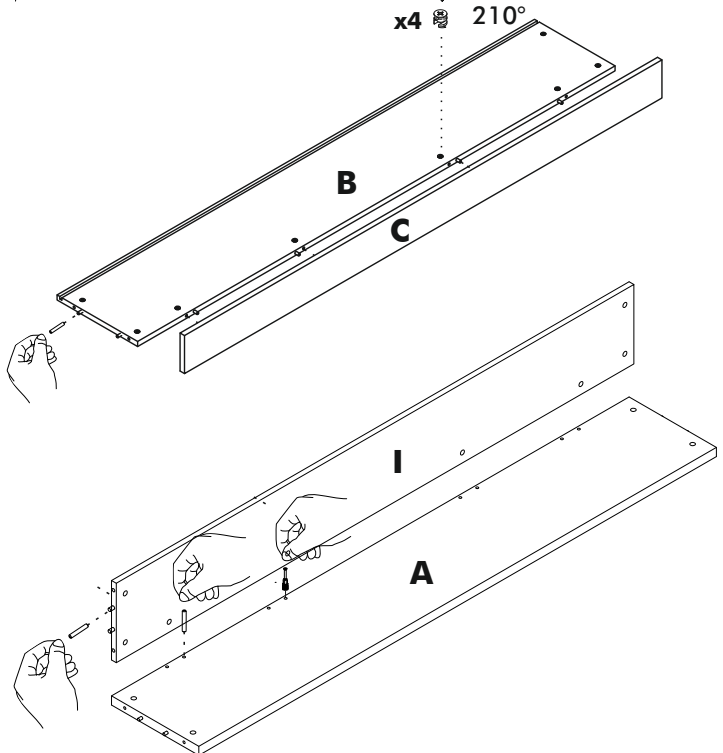
KVL 01



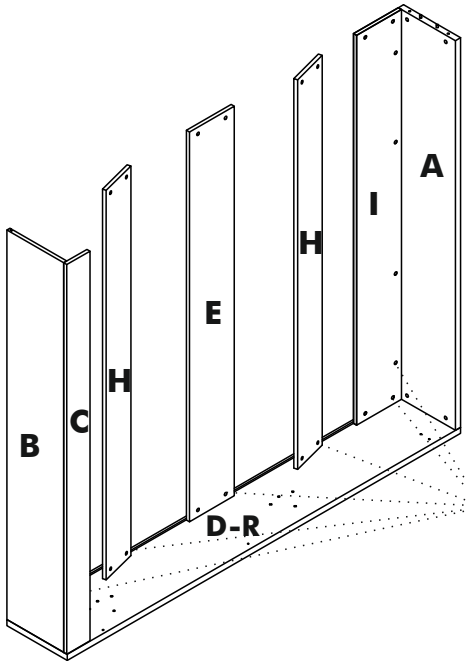
STEP 2



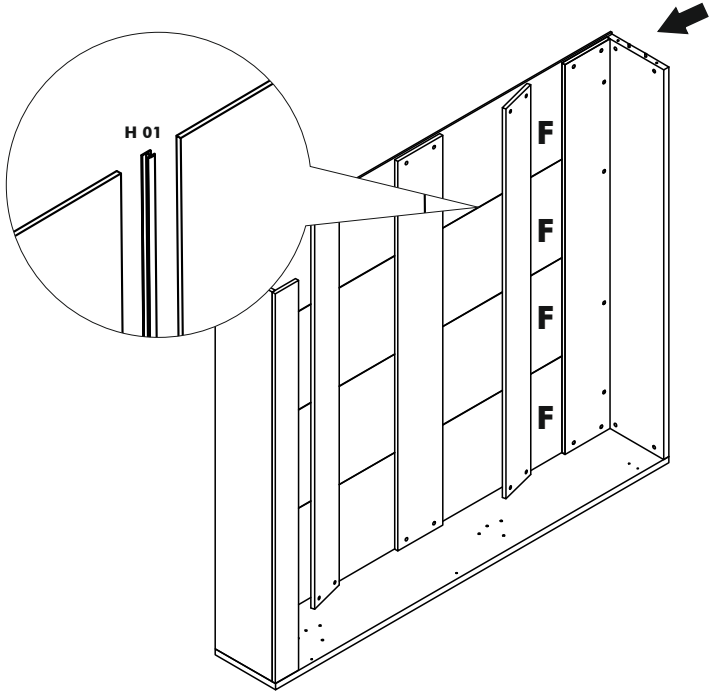
MNG - 01



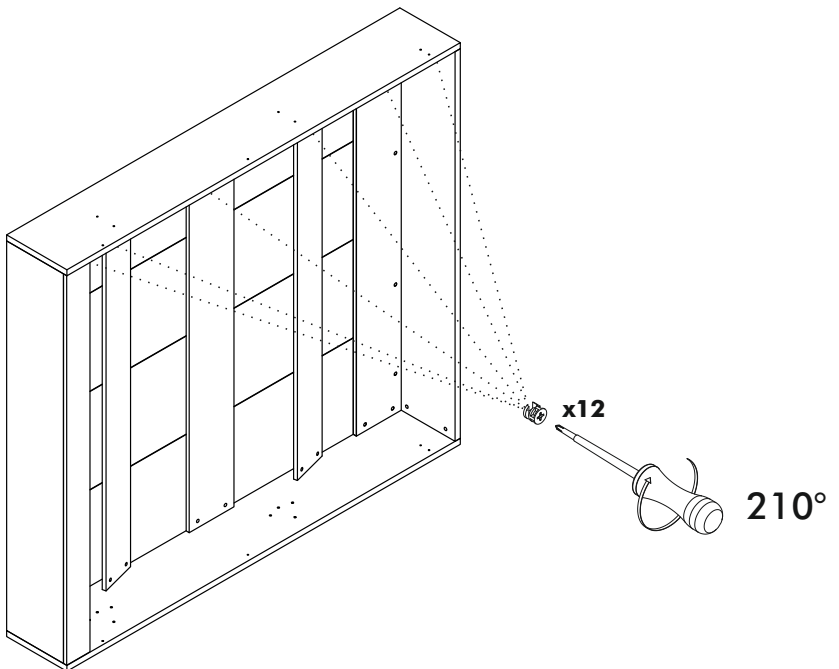
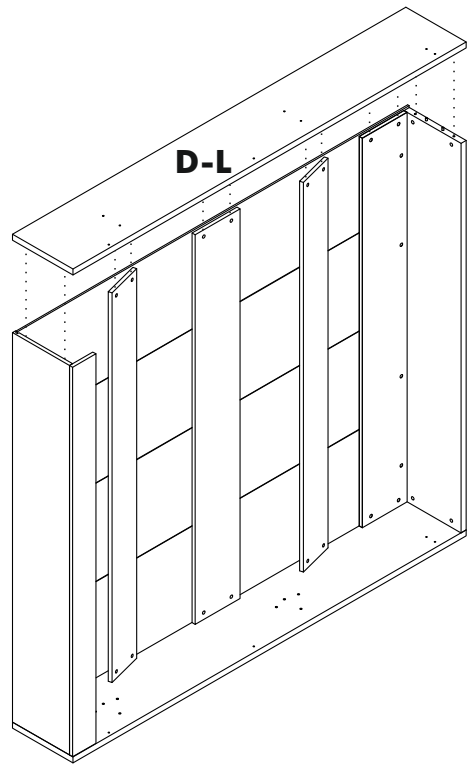
STEP 3



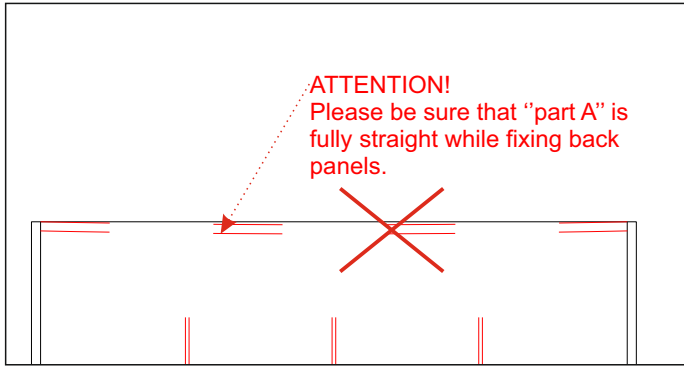
STEP 4



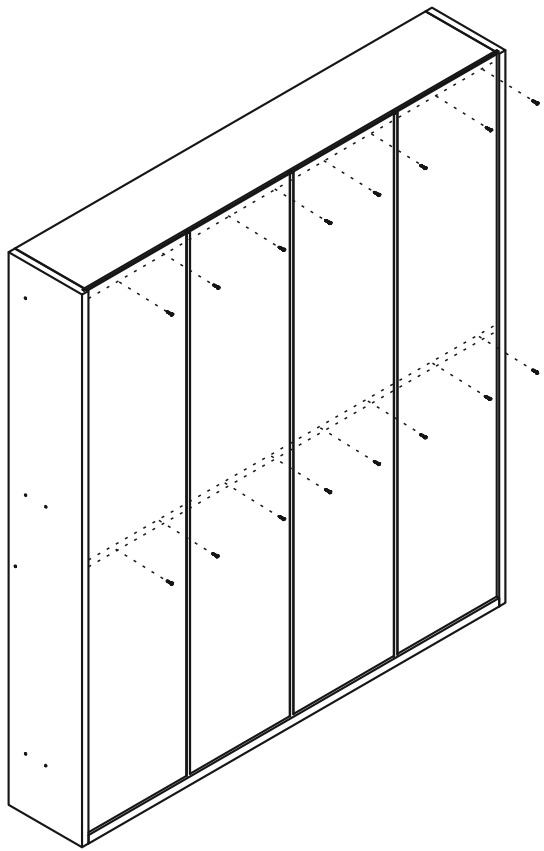
STEP 5



STEP 6



ATTENTION!
Please be sure that "part A" is fully straight while fixing back panels.



x16



WALLS MADE OF BRICK, CONCRETE OR HARD SURFACE MOUNTING (HARDWARE PROVIDED)

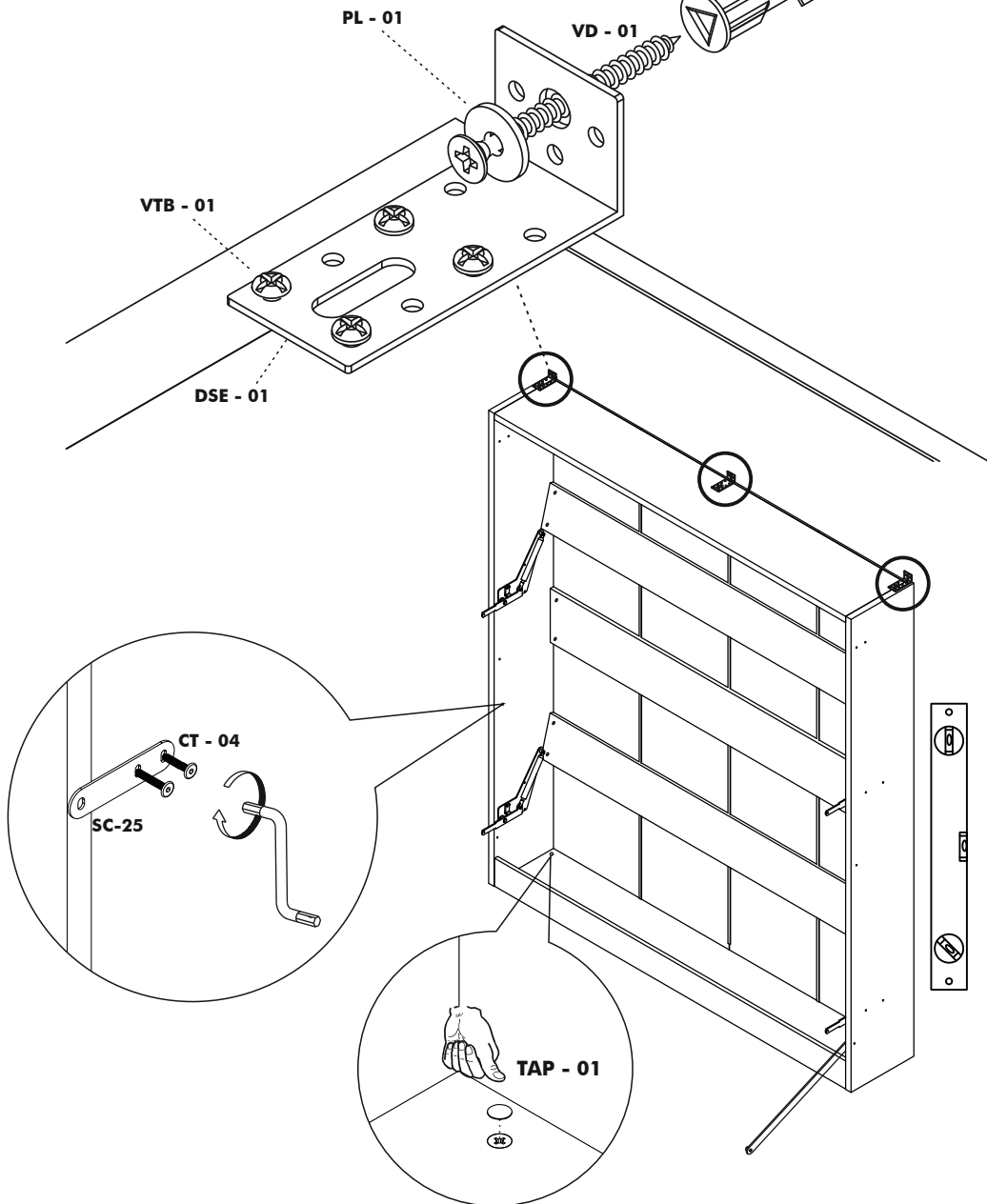


STEP 9



DD - 01

Ø 10 mm / 0,254 inch



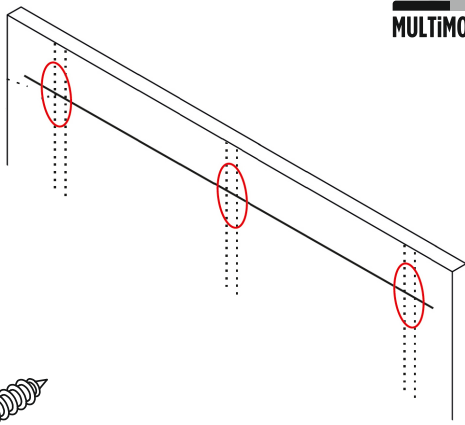
WALLS MADE OF DRYWALL WITH WOODEN OR METAL STUDS



STEP 9-1



Ø 10 mm / 0,254 inch



NOT INCLUDED

SUPPLY DRYWALL FASTENERS APPROPRIATE TO YOUR WALL TYPE. WE RECOMMEND USING STEEL TOGGLE BOLT ANCHOR THAT SHOWN BELOW



PL - 01

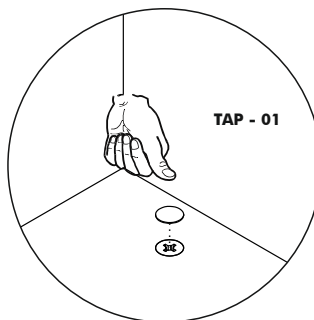
VTB - 01

DSE - 01

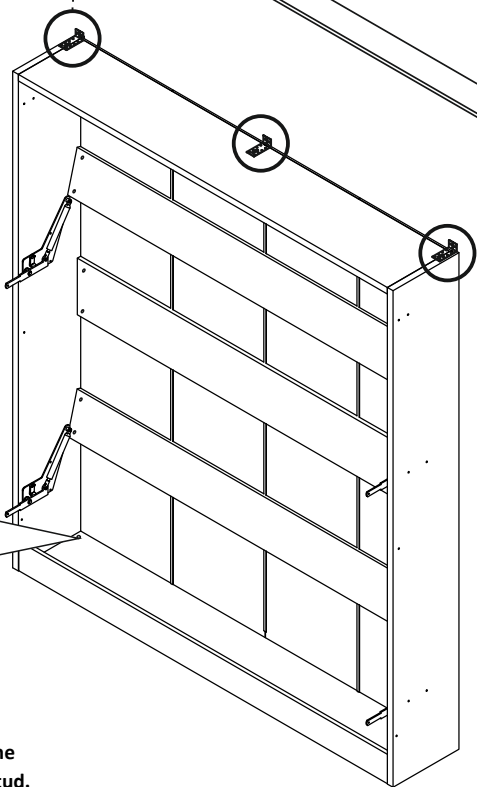


FIRST LOCATE THE STUDS BY USING "STUD FINDER" IN THE WALL AND DRILL IT ACCORDING TO THE HEIGHT MEASUREMENTS GIVEN ON THE SIDE.

UPPER HOLES SHOULD BE DRILLED FOR ATTACHING BED AT NEXT STEP.



TAP - 01



WARNING:

Do not mount furniture on to paper-mache or sheetrock like material properly it to stud.

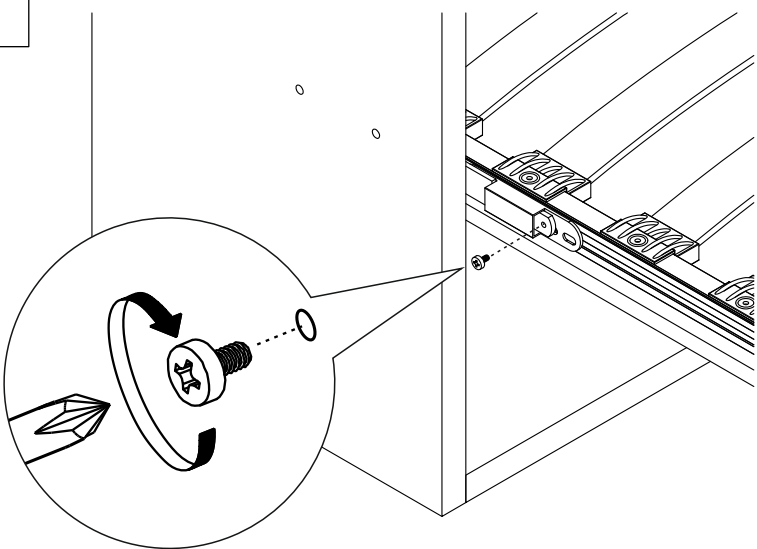
45-50°

CAUTION

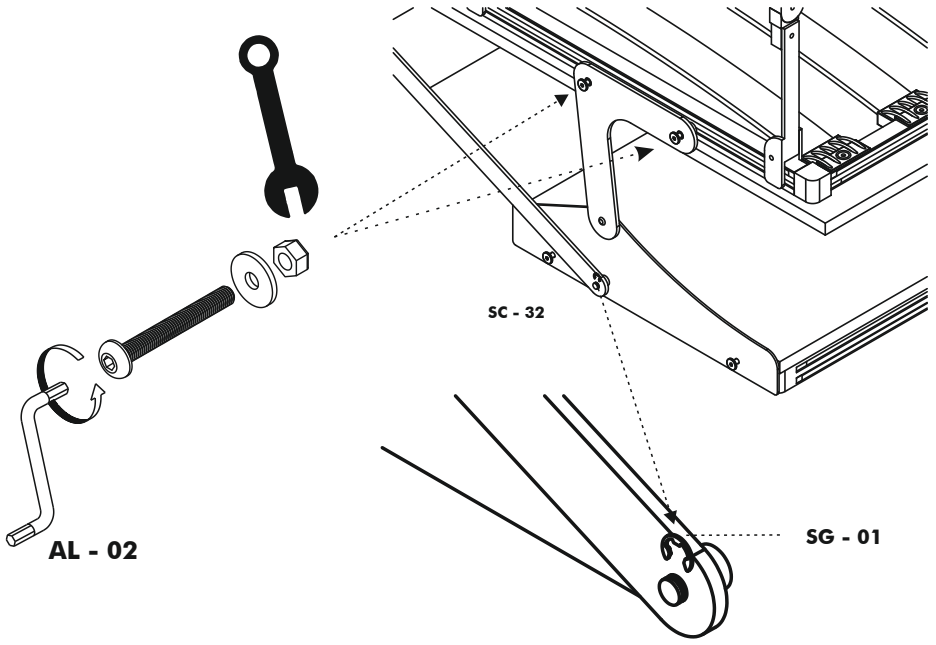
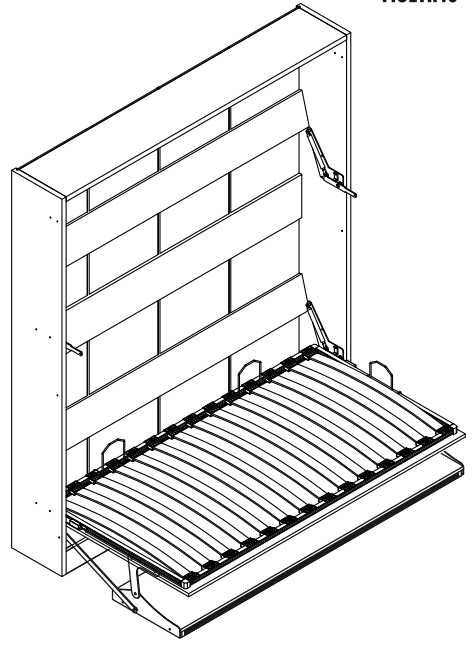
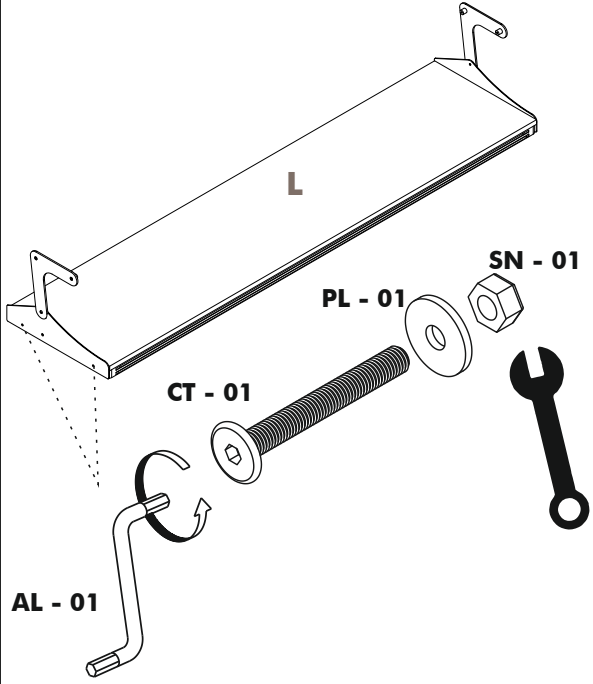
MAKE SURE THE FRONT PANEL IS ALL THE WAY INSIDE THE TONNELS

45-50°

PULL DOWN GENTLY TO RELISE THE HOLDING TRIGGER LOCK

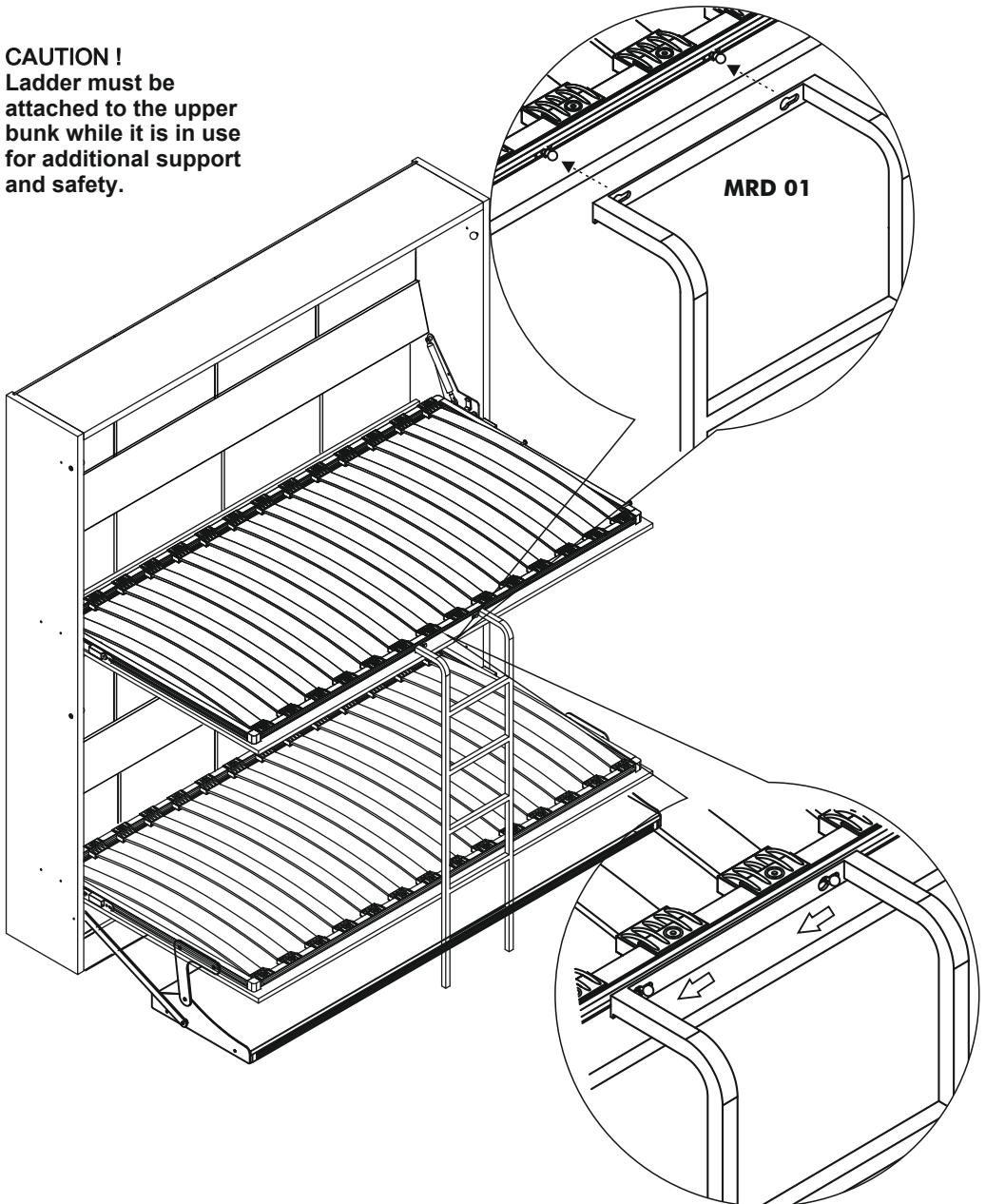


STEP 11

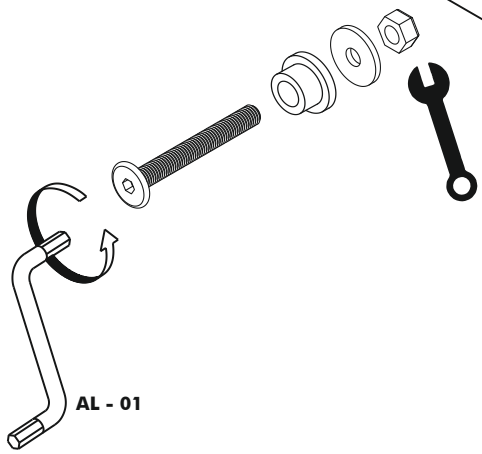
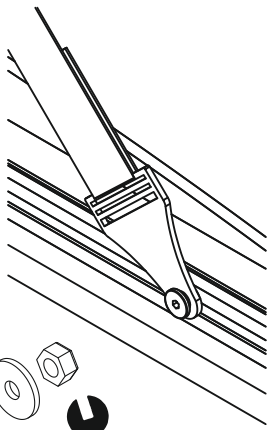
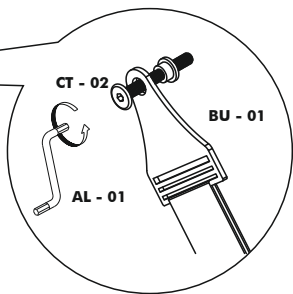
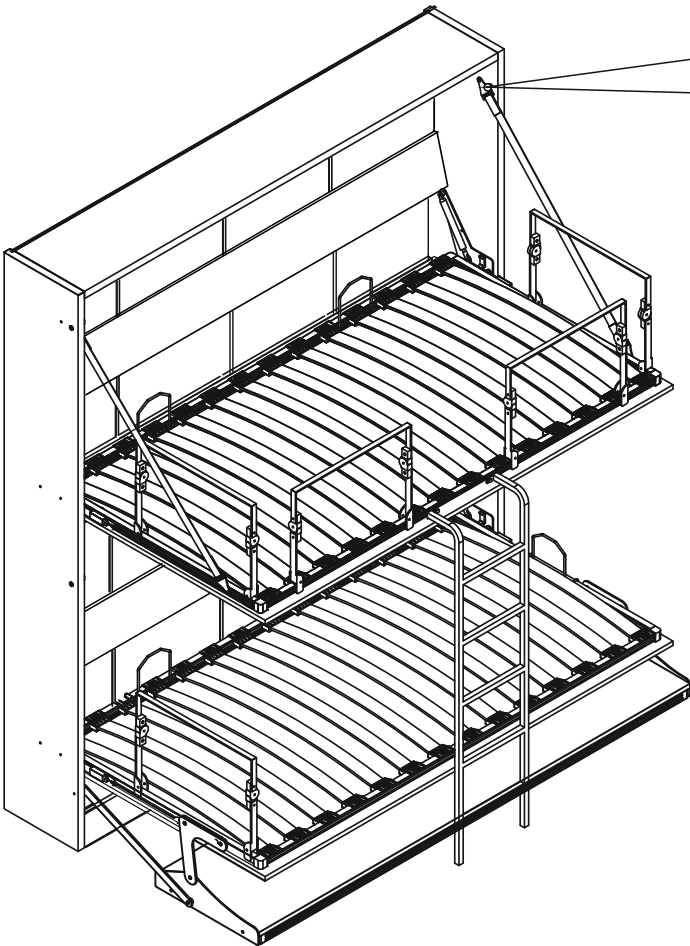


STEP 12

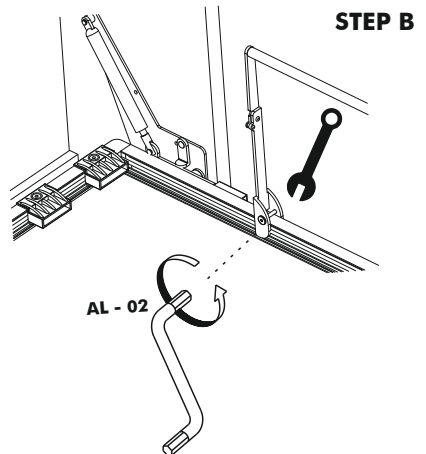
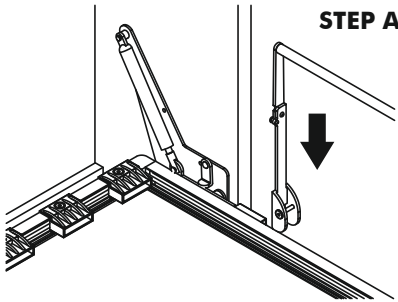
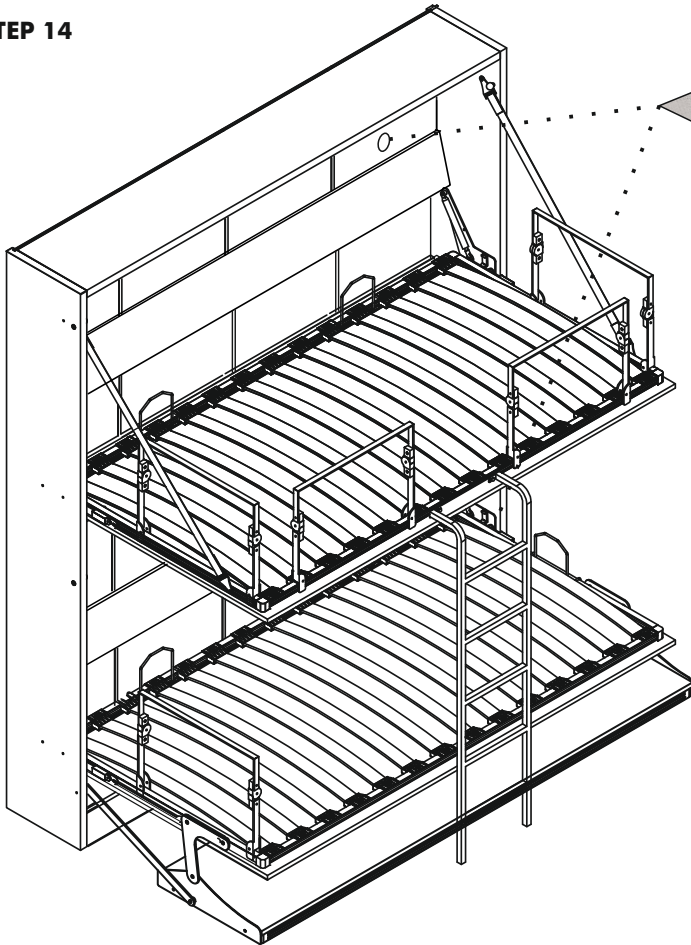
CAUTION !
Ladder must be attached to the upper bunk while it is in use for additional support and safety.



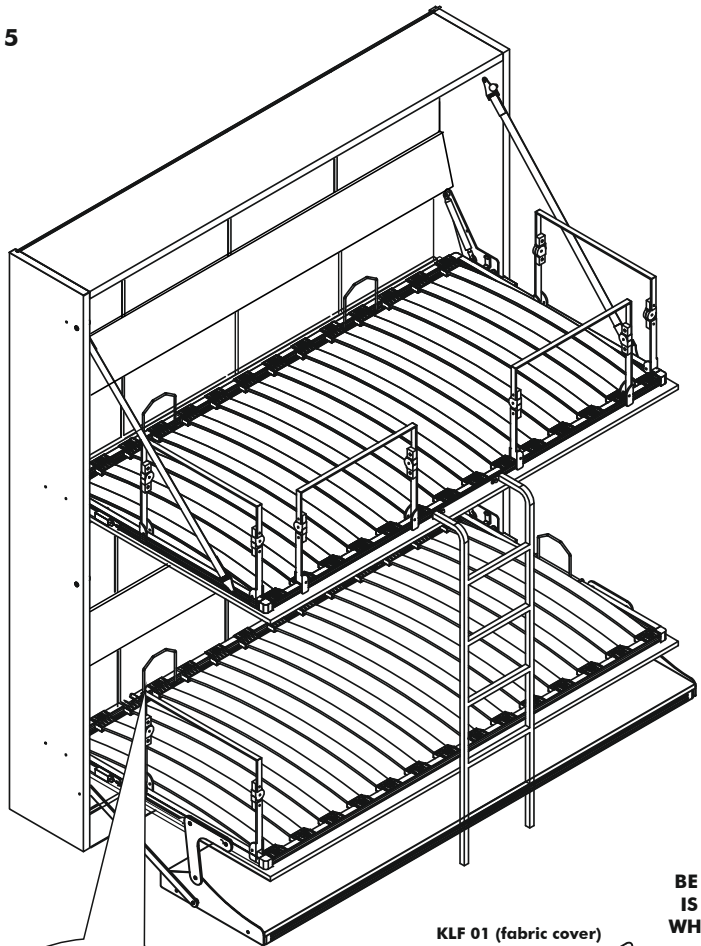
STEP 13



STEP 14

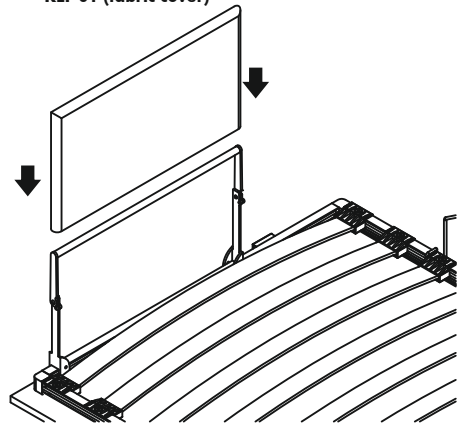
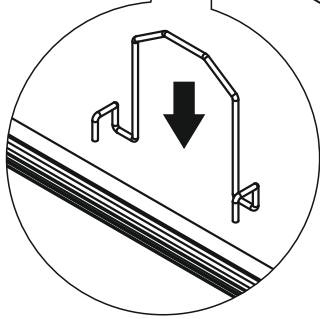


STEP 15

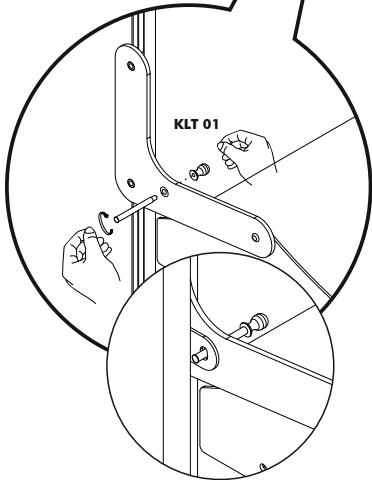
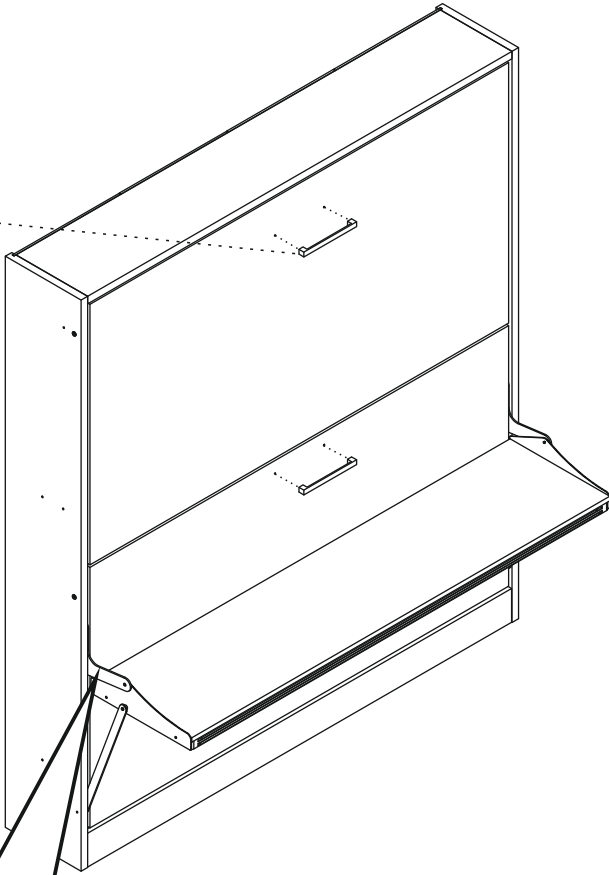
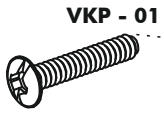


CAUTION !
BE SURE THE HEADBOARD
IS IN CLOSED POSITION
WHEN BED BOX IS CLOSED

KLF 01 (fabric cover)



STEP 16



1. Unless an item is free standing, when mounting on a regular drywall, furniture must be fastened to wood or metal studs. Solid walls made of brick, concrete or similar materials are also acceptable. Do not mount furniture on to paper-mache or sheetrock like material without properly affixing it to stud.
2. For safety and longevity of the product you must periodically inspect the mounting and mechanical connections for integrity and tightness. Confirm that hardware remains properly affixed and connections are snug.
3. Unless noted otherwise on the product page, Wall Bed mattress thickness may not exceed 8 inch. Make sure to remove pillows and excess blankets before closing. This keeps mechanism free of obstructions and unnecessary stress.
4. Do not lean or rest heavy objects on sides or top of furniture. This may cause balance issues and compromise the integrity of your mounting connections.
5. Please use beds, desks and shelving as intended. Improper use may cause personal injury and damage to property.
6. With seasonal humidity change you must inspect interior and exterior of furniture.
7. Single, Twin, Twin XL beds accommodate the weight of one person, up to 250 lb. Exceeding recommended weight restrictions may lead to personal injury and property damage.
8. Before any un-mounting or disassembly please contact Multimo for technical support and instructions. Failure to properly detach wall bed may result in personal injury and property damage.
9. Some wall beds have legs that fully extend when open - be aware of where the leg is and will be.



WARNING

IMPORTANT! HAZARD WARNING!

All Wall Beds contain sophisticated and powerful lifting mechanism.
Failure to follow assembly and installation instructions may result in **severe personal injury and damage of the product.**

SECURE RIGIDLY TO A WALL!

Improper attaching wall bed to a wall will create a tip-over hazard and may result in severe personal injury or even death.

ONLY qualified installers should install or remove a wall bed.

10. For Bunk Beds:

- a. Always use provided ladder when accessing top bunk.
- b. Be slow, careful and aware of surroundings when opening top bunk.
- c. Do not horseplay. Beds are to be slept on only.



WARNING

To help prevent serious or fatal injuries due to entrapment or falls

- Never allow a child under 6 on upper bunk.
- Use only Twin/Twin XL size mattress on upper bunk.
- Ensure mattress thickness doesn't exceed 6", and that mattress surface at least 5" below upper edge of guard rails



WARRANTY

RETAIL RESIDENTIAL TERM

Lifetime guarantee on hardware.
5 year structural guarantee on cabinetry.

COMMERCIAL TERM

Lifetime guarantee on hardware.
2 year structural guarantee on cabinetry.



www.multimobeds.com