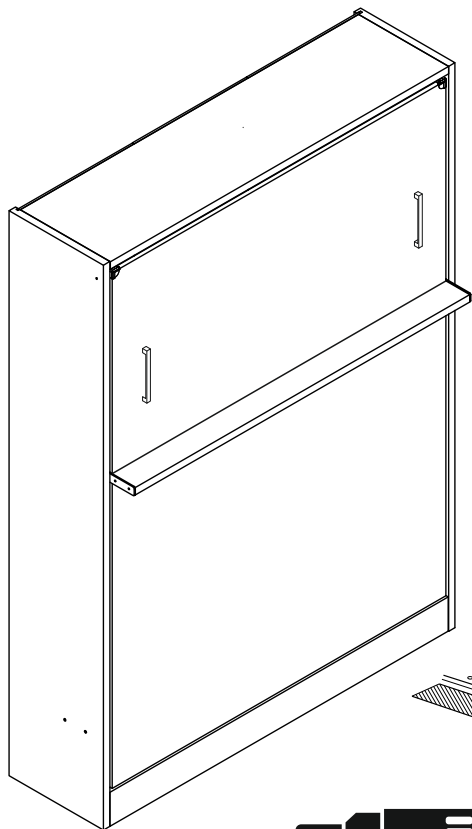




MULTIMO

A 510 ROYAL FULL BED



2 hours



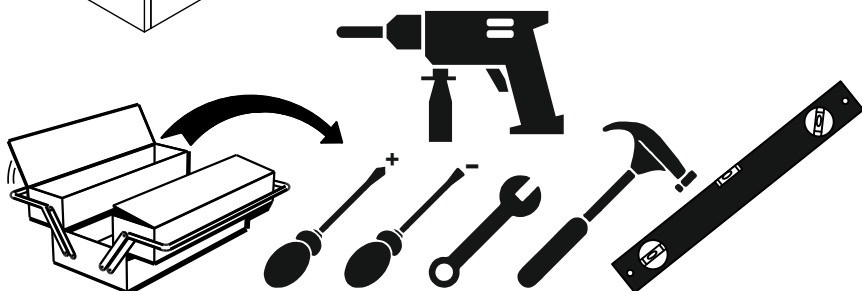
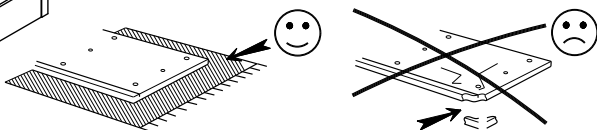
Technical Service



4 hours



End User



VIDEO

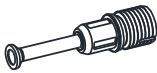


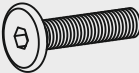
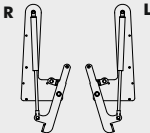
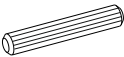
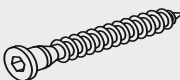
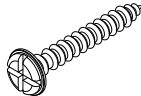

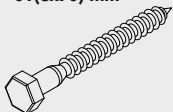
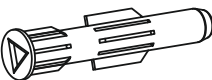

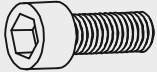
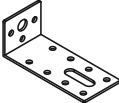


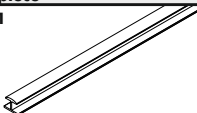

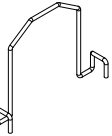


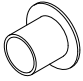

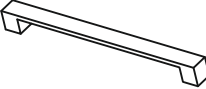


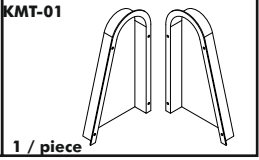
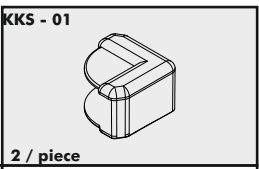
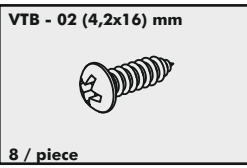
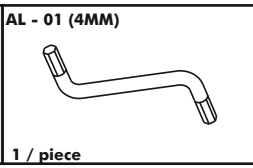
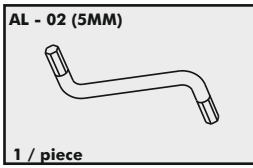
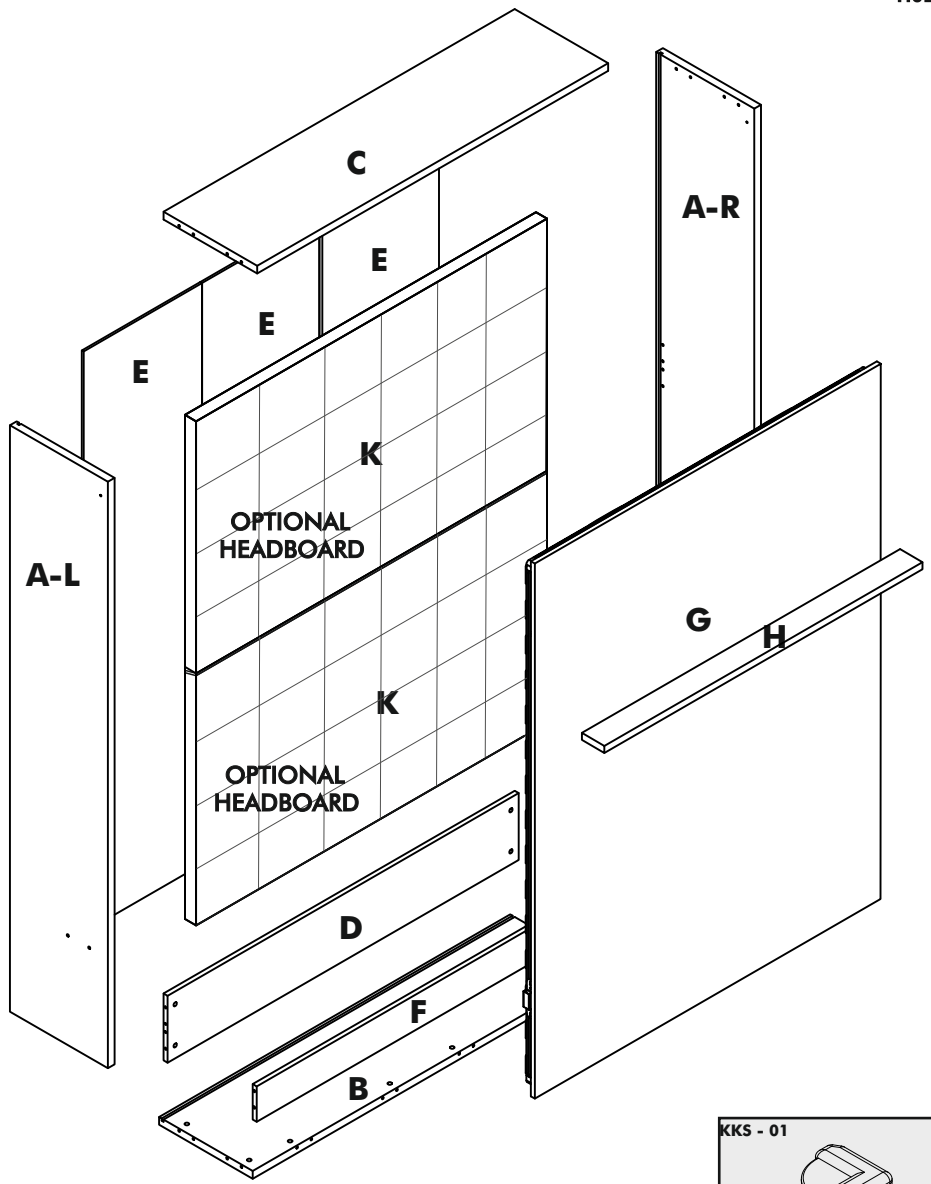
<https://youtu.be/zkJdCCVclHw>

Assembly Instructions

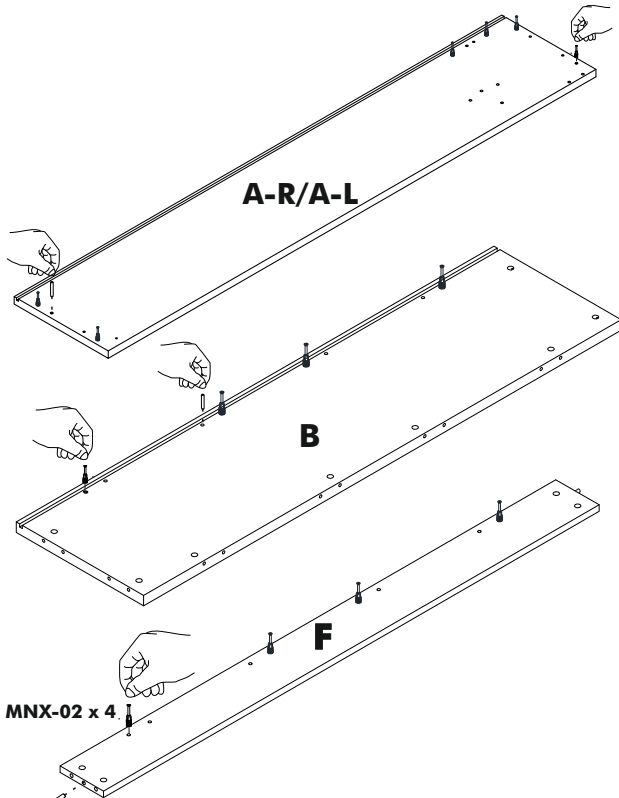
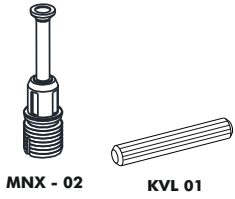
Track Title	Piece	(inch)			(mm)			
		Thickness	Length	Width	Piece	Thick	Height	Most
A	2	1,18	89,76	17,32	2	30	2280	440
B	1	0,71	57,87	16,54	1	18	1470	420
C	1	1,18	57,87	16,50	1	30	1470	419
D	1	0,71	57,87	11,81	1	18	1470	300
E	3	0,31	89,25	19,41	3	8	2267	493
F	1	0,71	57,87	5,67	1	18	1470	144
G	1	0,71	81,89	56,85	1	18	2080	1444
H	1	1,18	57,01	4,33	1	30	1448	110
K (OPTIONAL HEADBOARD)	2	1,97	37,87	57,68	2	50	962	1465

Accessories List

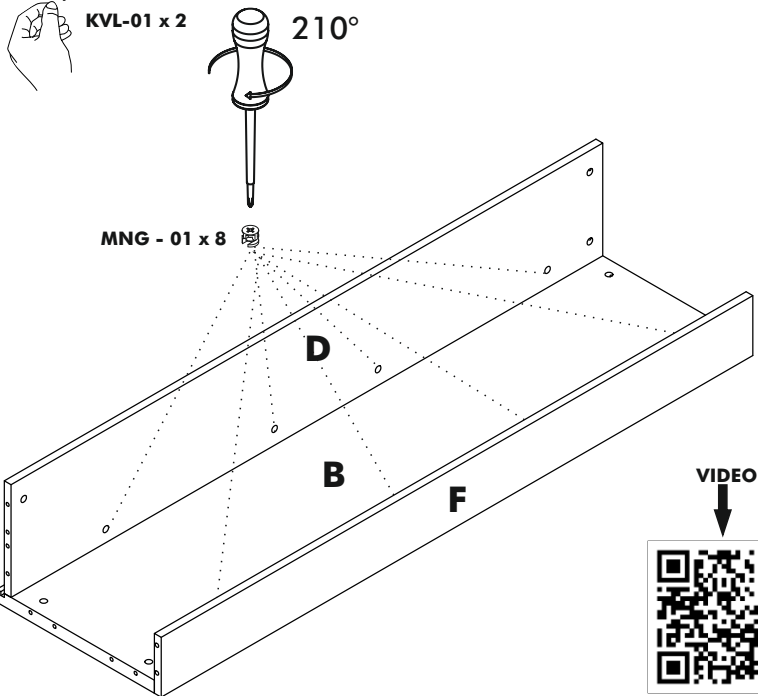
MNX 02  24 / piece	MNG - 01  24 / piece	OT-054  2 / piece	CT - 01 (6x40) mm  2 / piece
MKZ - 03  1 / piece	KVL 01  22 / piece	VDA - 01 (6,5x50) mm  4 / piece	VD - 02 (3,5x25) mm  30 / piece
PL - 02 (8x22x1) mm  3 / piece	TFC - 01(8x70) mm  3 / piece	DD - 01 (R10)  3 / piece	VTB - 01 (4,8x16) mm  12 / piece
IM - 01 (6x30) mm  6 / piece	DSE - 01 (40x90x32) mm  3 / piece	TAP - 01  24 / piece	TAP - 02  4 / piece
H 01  2 / piece	VKP - 01 (22) mm  4 / piece	TTC 01  4 / piece	SC - 92  2 / piece
SG - 01  2 / piece	OT-056D  2 / piece	AVT - 01  6 / piece	KP - 01 (224) mm  2 / piece



STEP 1



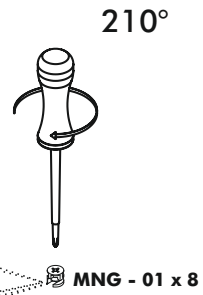
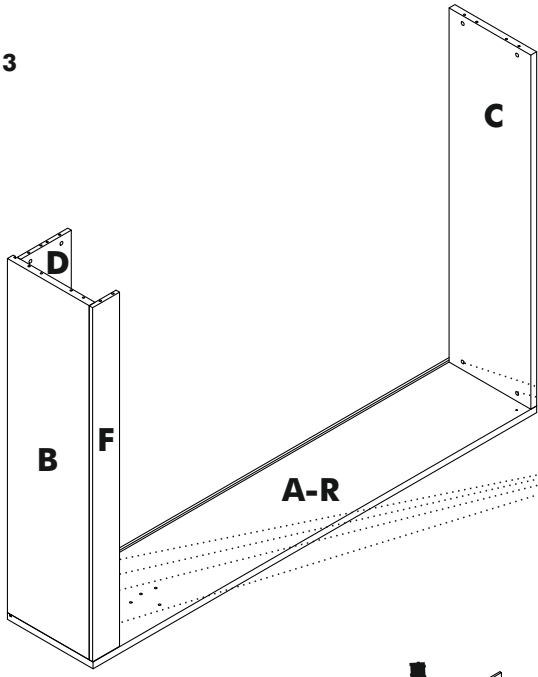
STEP 2



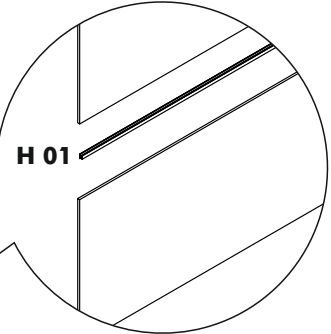
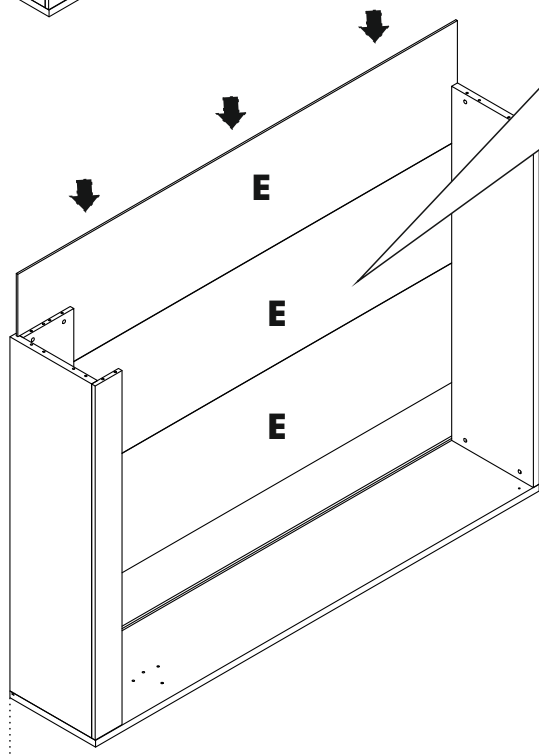
VIDEO



STEP 3



STEP 4

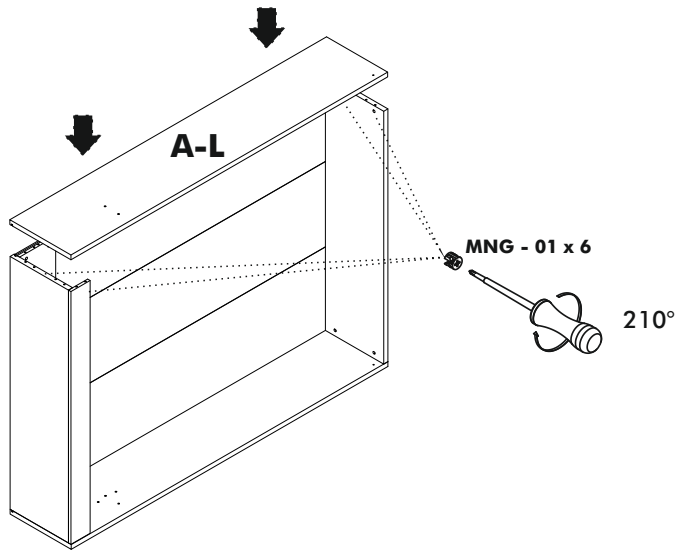


VIDEO

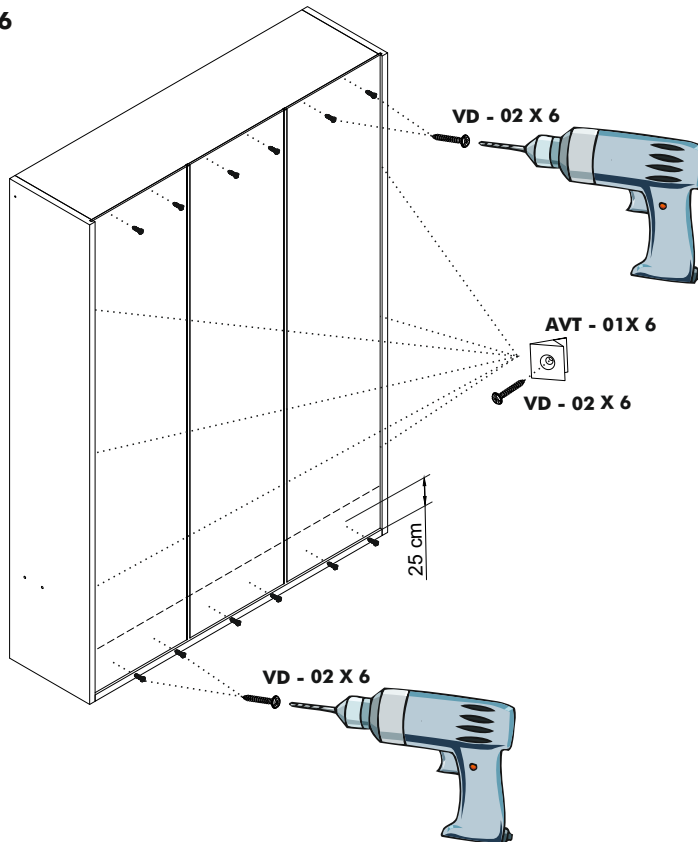


<https://youtu.be/dkg-8fclR0g>

STEP 5



STEP 6



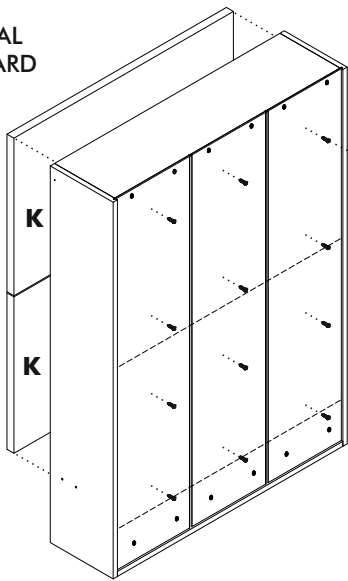
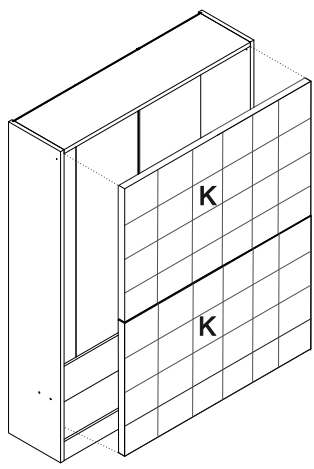
VIDEO



https://youtu.be/kyW_FZa79Y0

STEP 7

OPTIONAL HEADBOARD



VD - 02x12

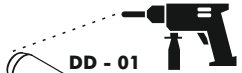


ATTENTION!!!

Must be secured to the wall made of brick, concrete or similarly strong material. Mounting to wooden or metal studs is also acceptable.

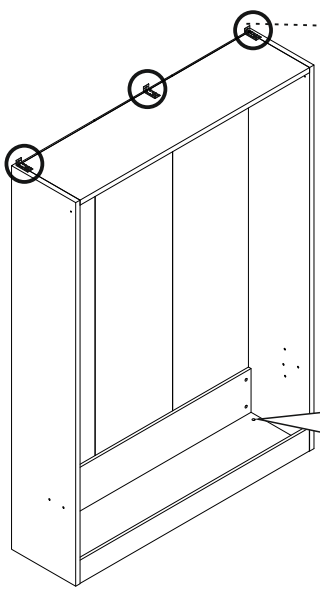
STEP 8

Do not mount directly to sheetrock or paper-mache type walls not supported by studs.



DD - 01

Ø 10 mm / 0,254 inch

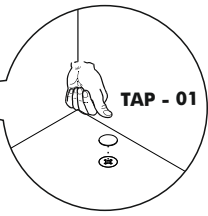


TFC - 01

PL - 02

VTB - 01

DSE - 01



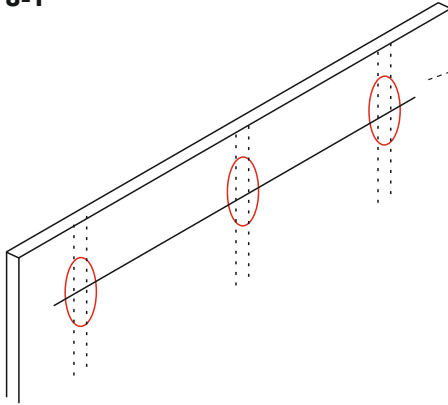
TAP - 01

VIDEO



WALLS MADE OF DRYWALL WITH WOODEN OR METAL STUDS

STEP 8-1



Ø 10 mm / 0,254 inc

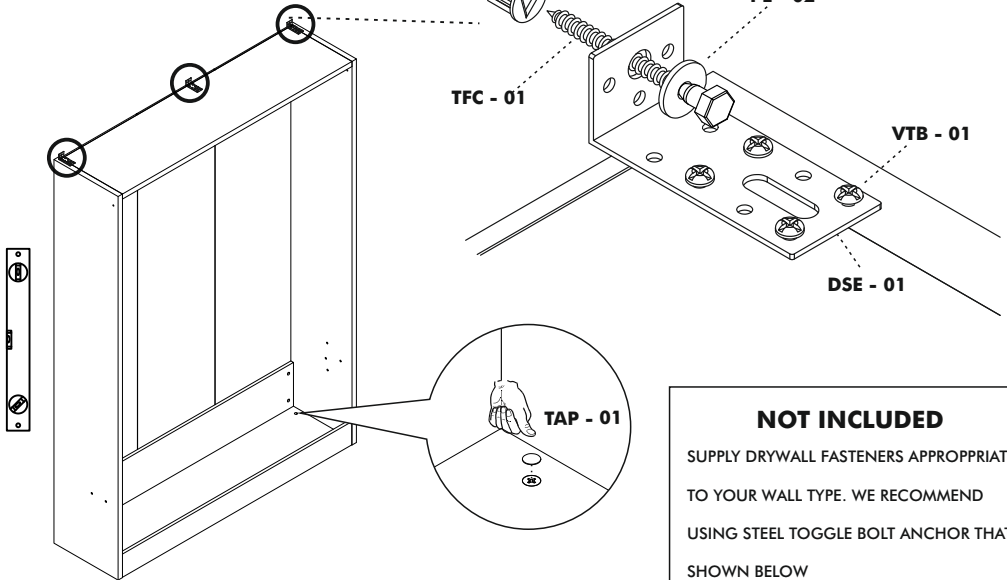


FIRST LOCATE THE STUDS BY USING "STUD FINDER" IN THE WALL AND DRILL IT ACCORDING TO THE HEIGHT MEASUREMENTS GIVEN ON THE SIDE.
UPPER HOLES SHOULD BE DRILLED FOR ATTACHING BED AT NEXT STEP.



DD - 01

Ø 10 mm / 0,254 inch

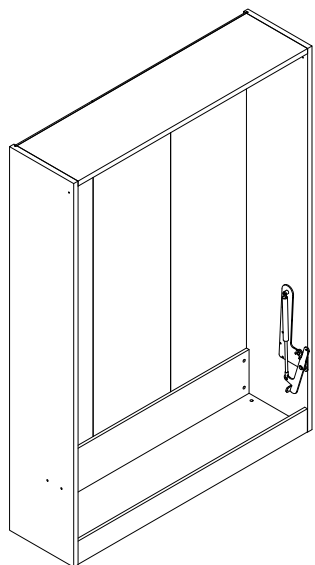


NOT INCLUDED

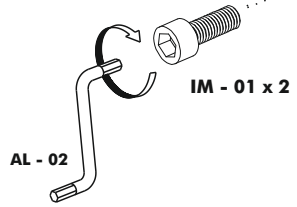
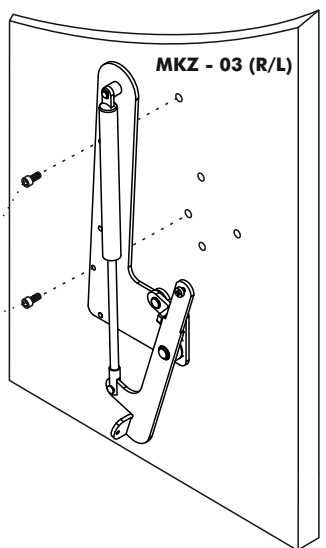
SUPPLY DRYWALL FASTENERS APPROPRIATE TO YOUR WALL TYPE. WE RECOMMEND USING STEEL TOGGLE BOLT ANCHOR THAT SHOWN BELOW



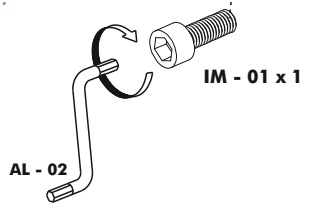
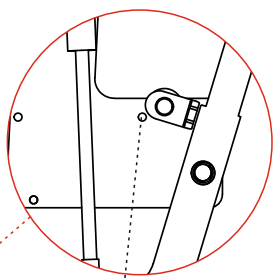
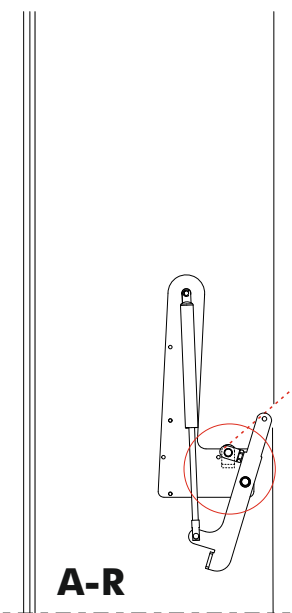
STEP 9



CAUTION
DO NOT UNLOCK BEFORE INSTALL



STEP 10

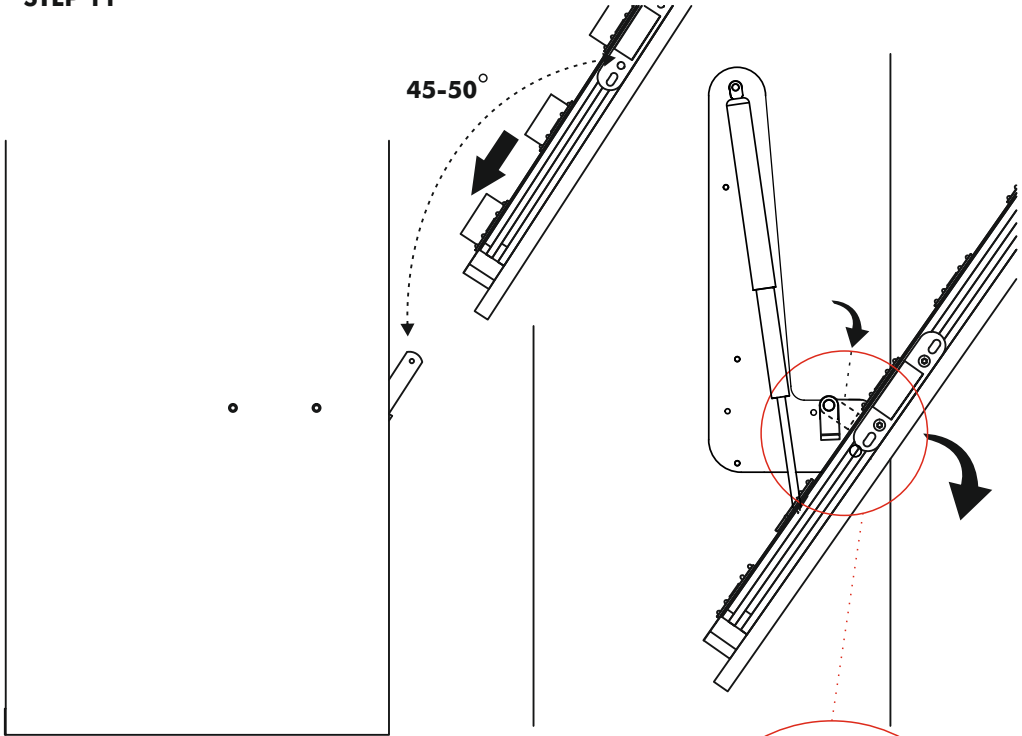


VIDEO

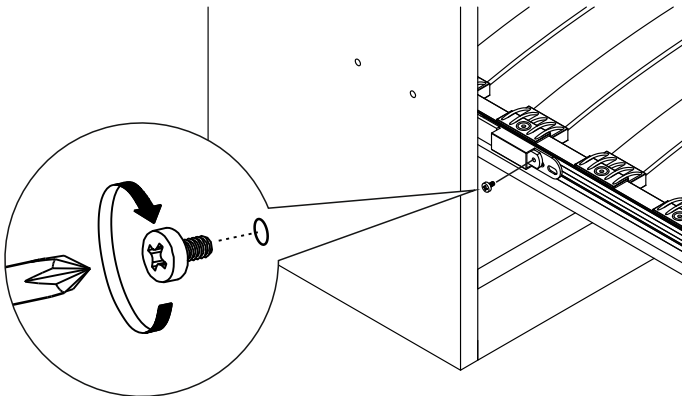
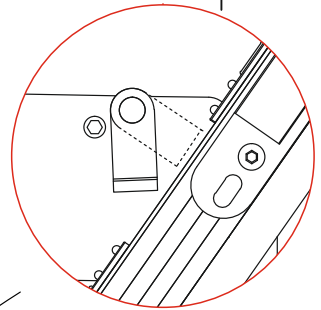


<https://youtu.be/qQxeaDBepss>

STEP 11



LET THE STOPPER LOCK MOVE DOWN !!!

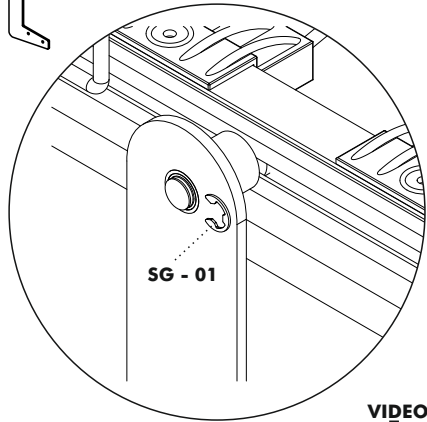
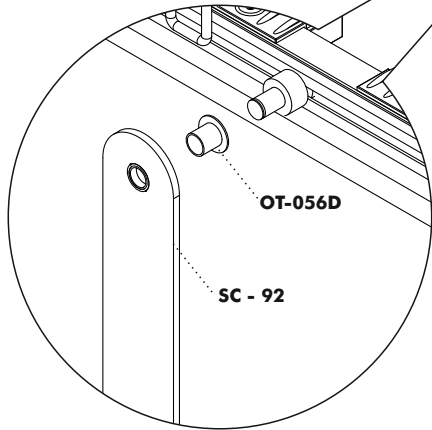
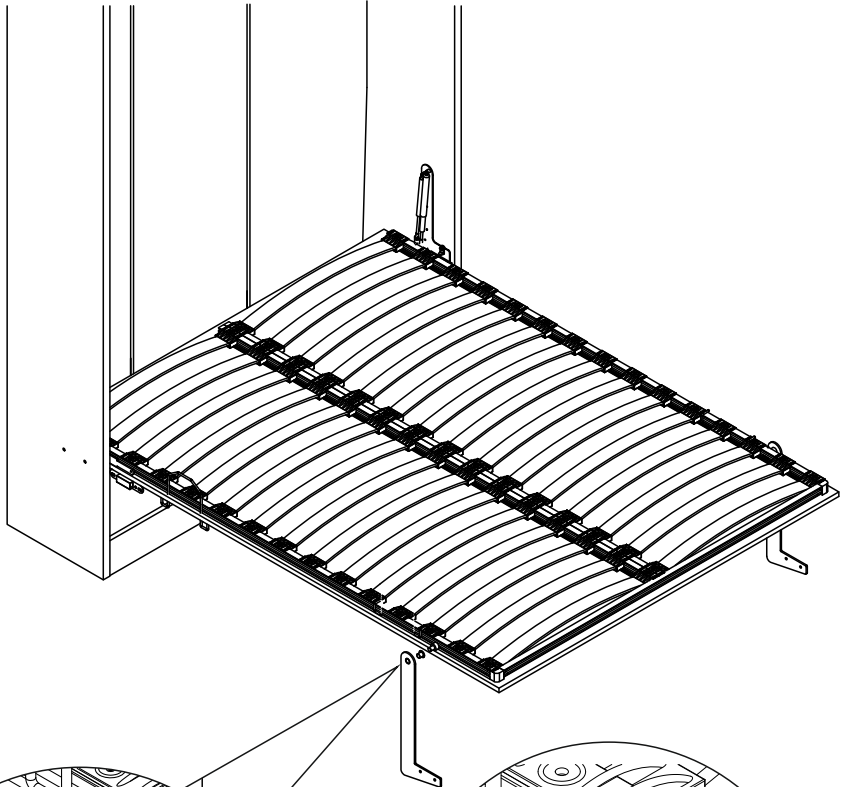


VIDEO



https://youtu.be/8BM6_F9KOzM

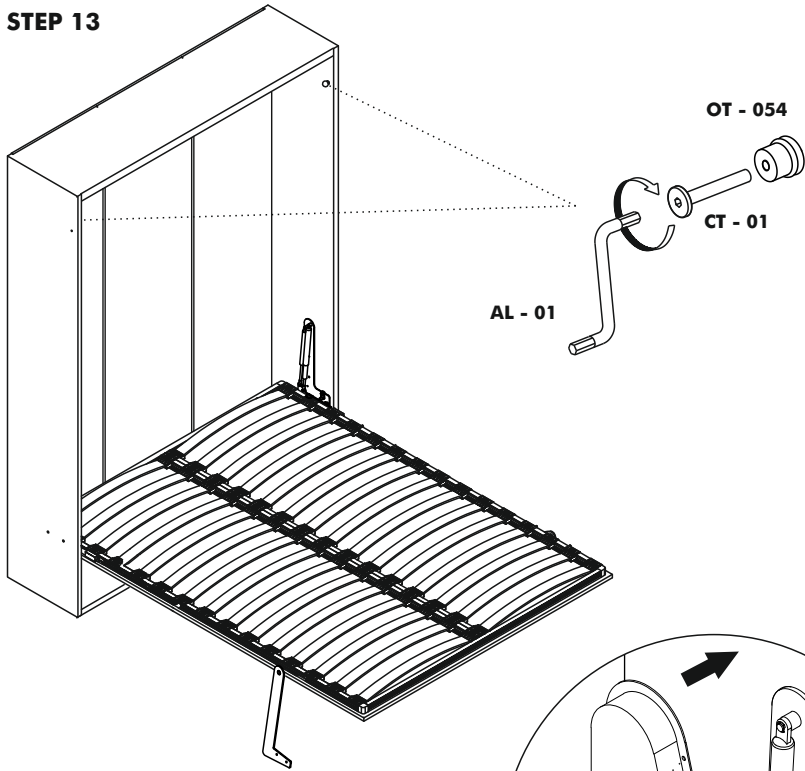
STEP 12



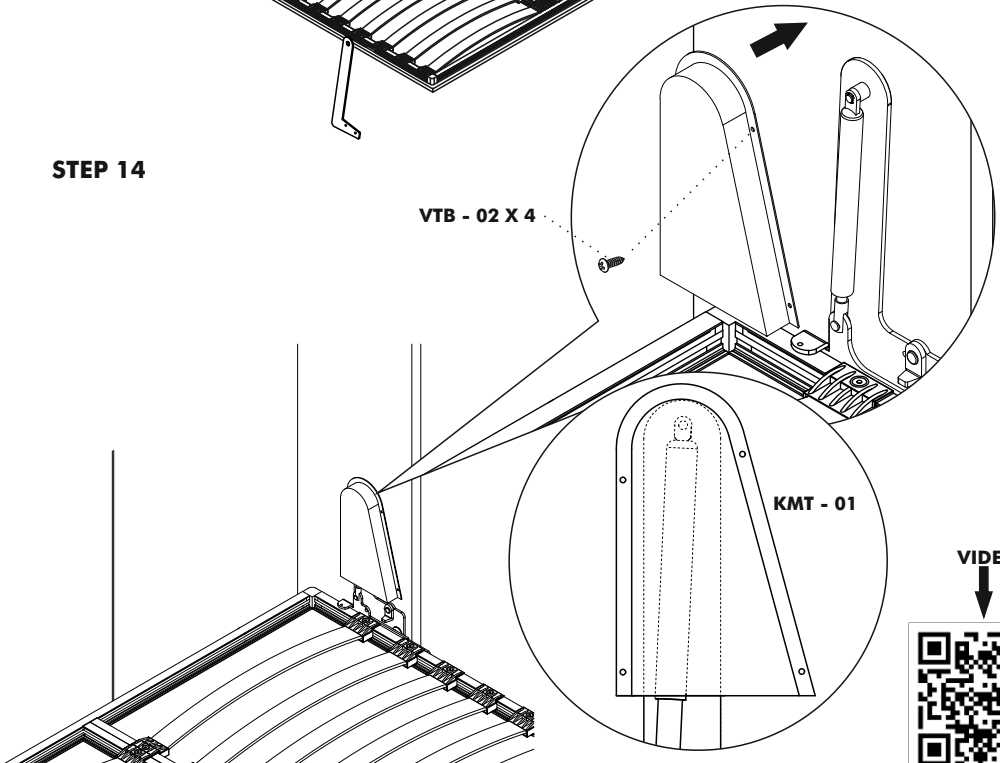
VIDEO



STEP 13



STEP 14

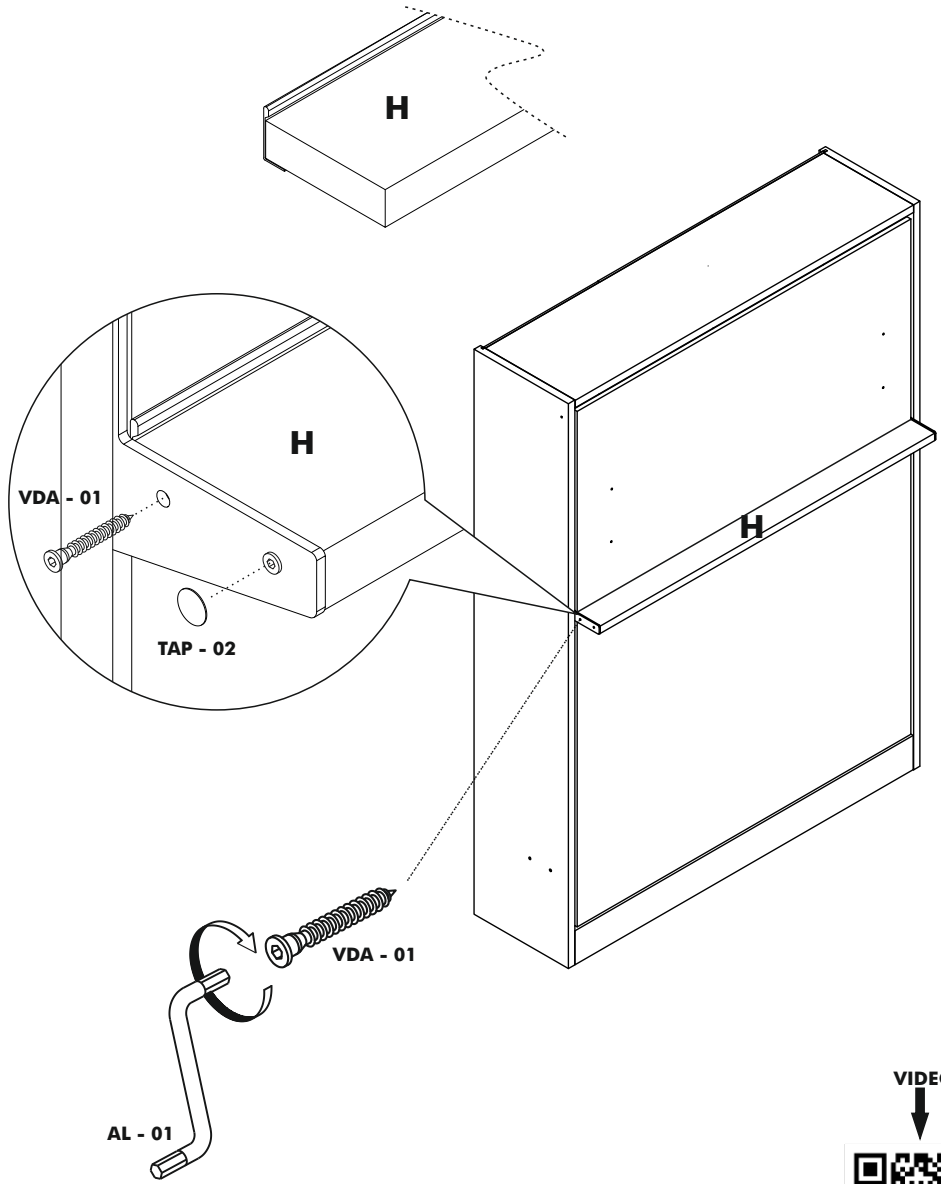


VIDEO



<https://youtu.be/P-MCU13Kvdc>

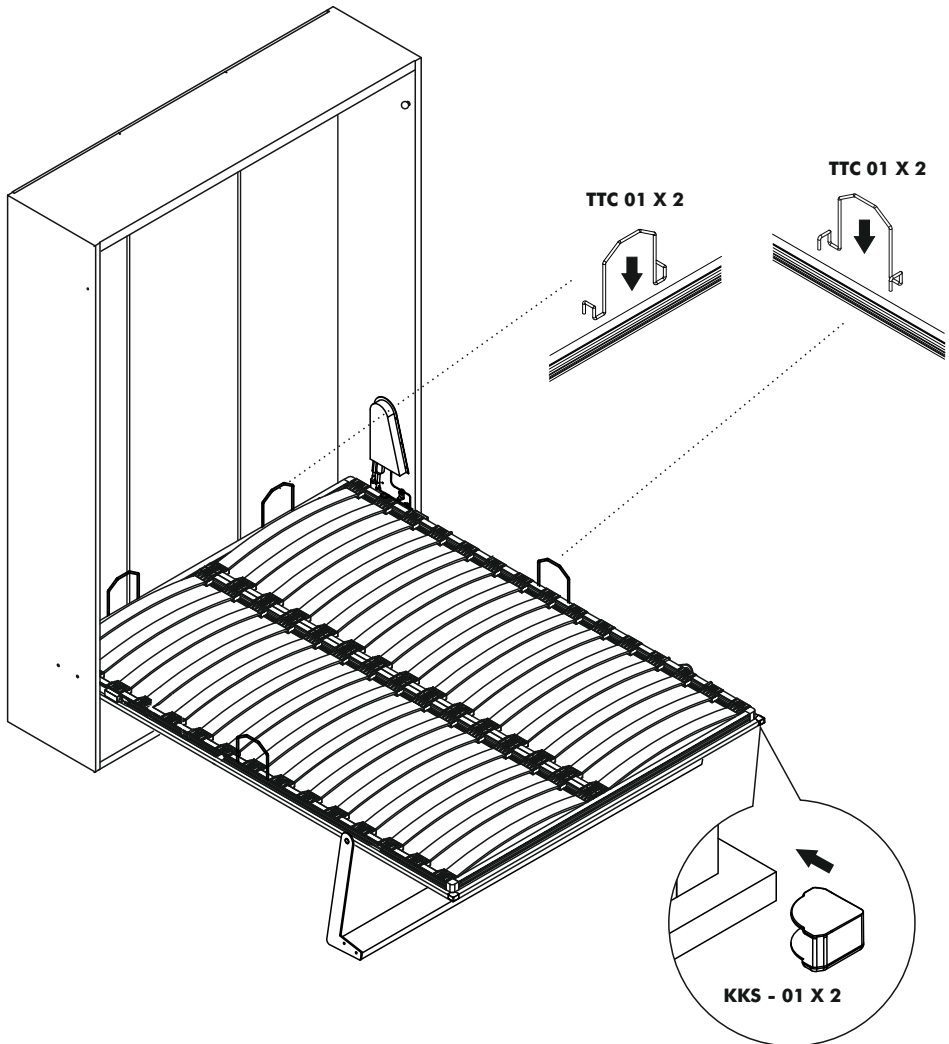
STEP 15



VIDEO



STEP 16

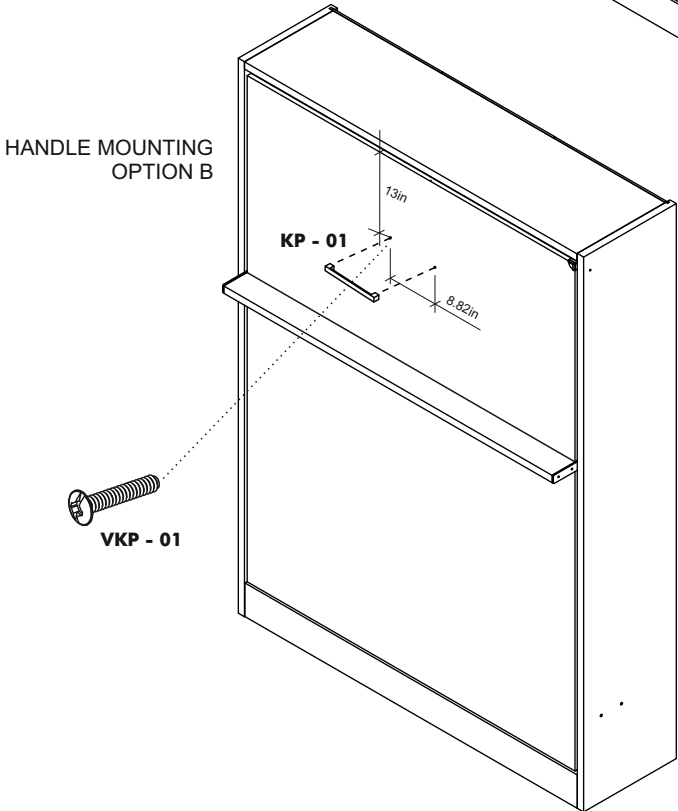
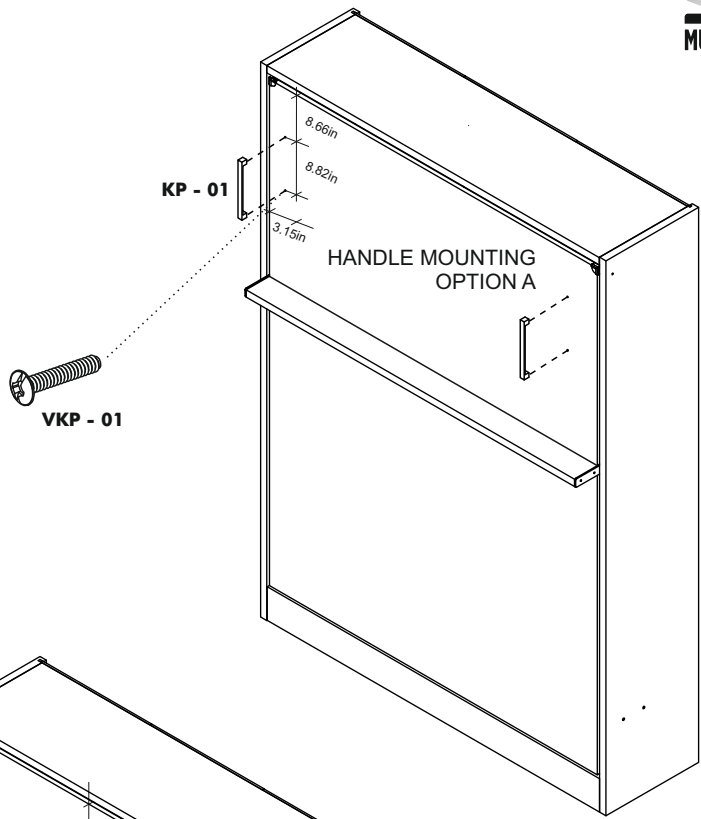


VIDEO



https://youtu.be/O3_8r0bFfP8

STEP 17



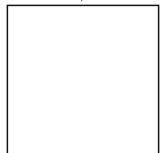
VIDEO



<https://youtu.be/YzXabVvj2RU>

STEP 0

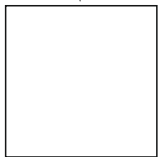
VIDEO



link

STEP 0

VIDEO



link

STEP 0

1. Wall beds must be securely attached to the wall. Hardware for mounting to concrete, brick or similar strong material is included.
2. When mounting to drywall, wall beds must be attached to wooden or metal studs in 2 or 3 points. Do not mount wall beds directly to drywall or paper-mache type wall without properly attaching it to studs. Please choose appropriate fasteners for the type of wall the bed will be mounted on. Drywall mounting hardware is not included.
3. For safety and product longevity you must periodically inspect the integrity and tightness of the mounting and mechanical connections. Confirm hardware remains properly affixed and connections are snug.
4. Do not lean or rest heavy objects on sides or top of furniture. This may cause balance issues and compromise the integrity of your mounting connections.
5. Please use wall beds and integrated shelves, desks and sofas as intended. Do not jump and/or exceed supported weight limits. Do not sit or lean on integrated shelves and desks. Improper use may cause personal injury and damage to property.
6. With seasonal humidity change please inspect the interior and exterior of the furniture for deformation and/or discoloration.
7. Before any un-mounting or disassembly please contact Multimo Beds for technical support and instructions. Failure to properly detach may result in personal injury and damage to property.



WARNINGS

IMPORTANT! HAZARD WARNING!

All Wall Beds contain sophisticated and powerful lifting mechanism. Failure to follow assembly and installation instructions may result in **severe personal injury and damage of the product.**

SECURE RIGIDLY TO A WALL!

Improper attaching wall bed to a wall will create a tip-over hazard and may result in severe personal injury or even death. **ONLY qualified installers should install or remove a wall bed.**



WARRANTY

RETAIL RESIDENTIAL TERM

Lifetime guarantee on hardware.
5 year structural guarantee on cabinetry.

COMMERCIAL TERM

Lifetime guarantee on hardware.
2 year structural guarantee on cabinetry.



www.multimobeds.com