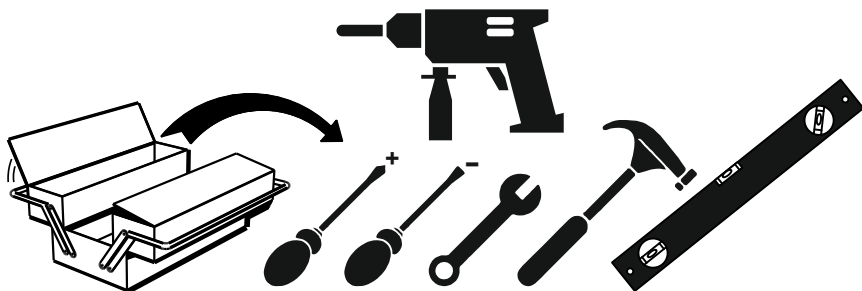
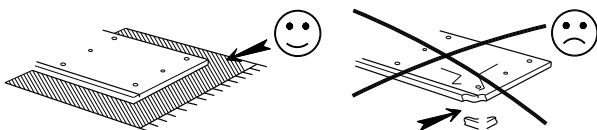
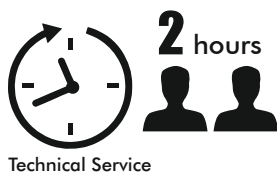
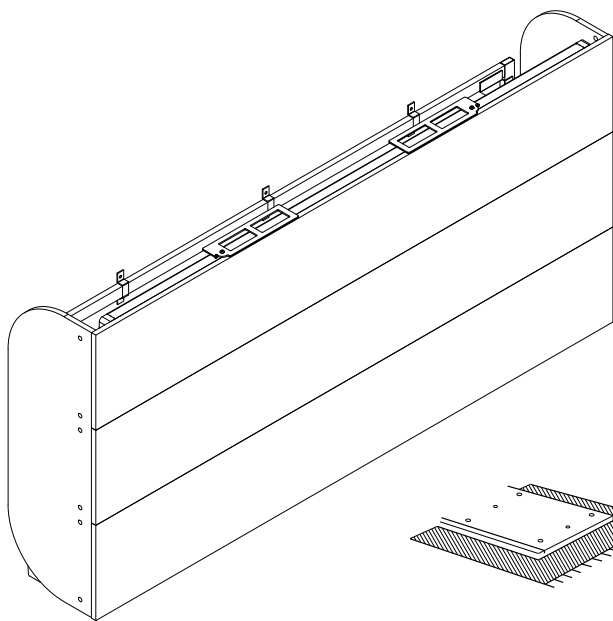




# MULTIMO

## A 751- SIMPLE TWIN 100 CM



VIDEO

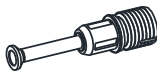

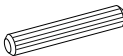


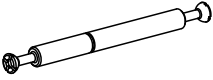

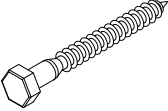

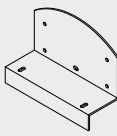
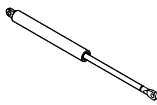
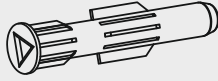
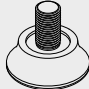

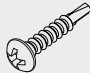
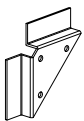

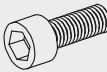
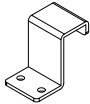
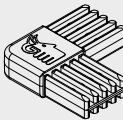

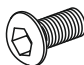
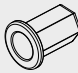



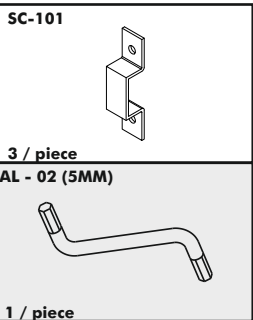
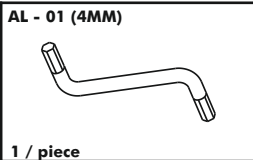
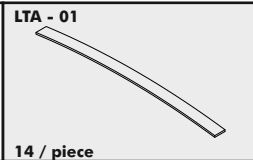
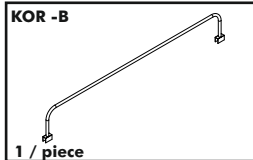
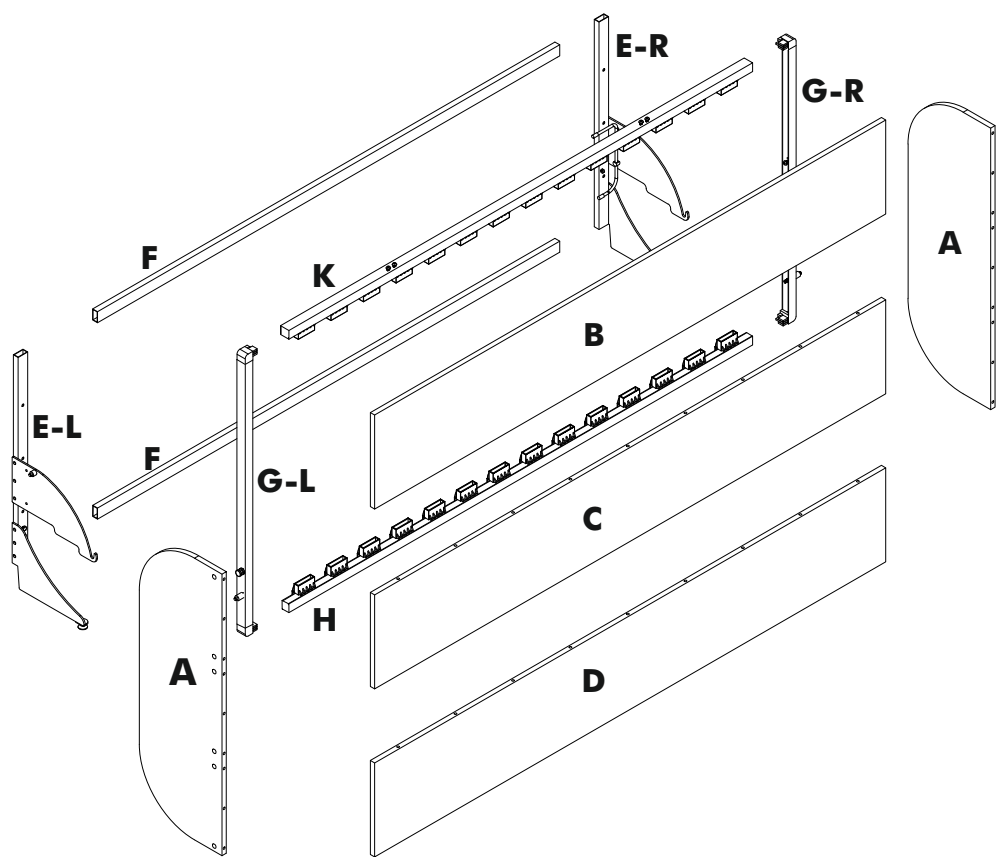
<https://youtu.be/v0iYmDpHkwQ>

Assembly Instructions

Track Title	Piece	(inch)			(mm)			
		Thickness	Length	Width	Piece	Thick	Height	Most
<b>A</b>	2	0,71	40,08	13,58	2	18	1018	345
<b>B</b>	1	0,71	84,17	13,39	1	18	2138	340
<b>C</b>	1	0,71	84,17	13,39	1	18	2138	340
<b>D</b>	1	0,71	84,17	13,39	1	18	2138	340
<b>E-R / E-L</b>	2		31,30		2		795	
<b>F</b>	2		75,98		2		1930	

### Accessories List

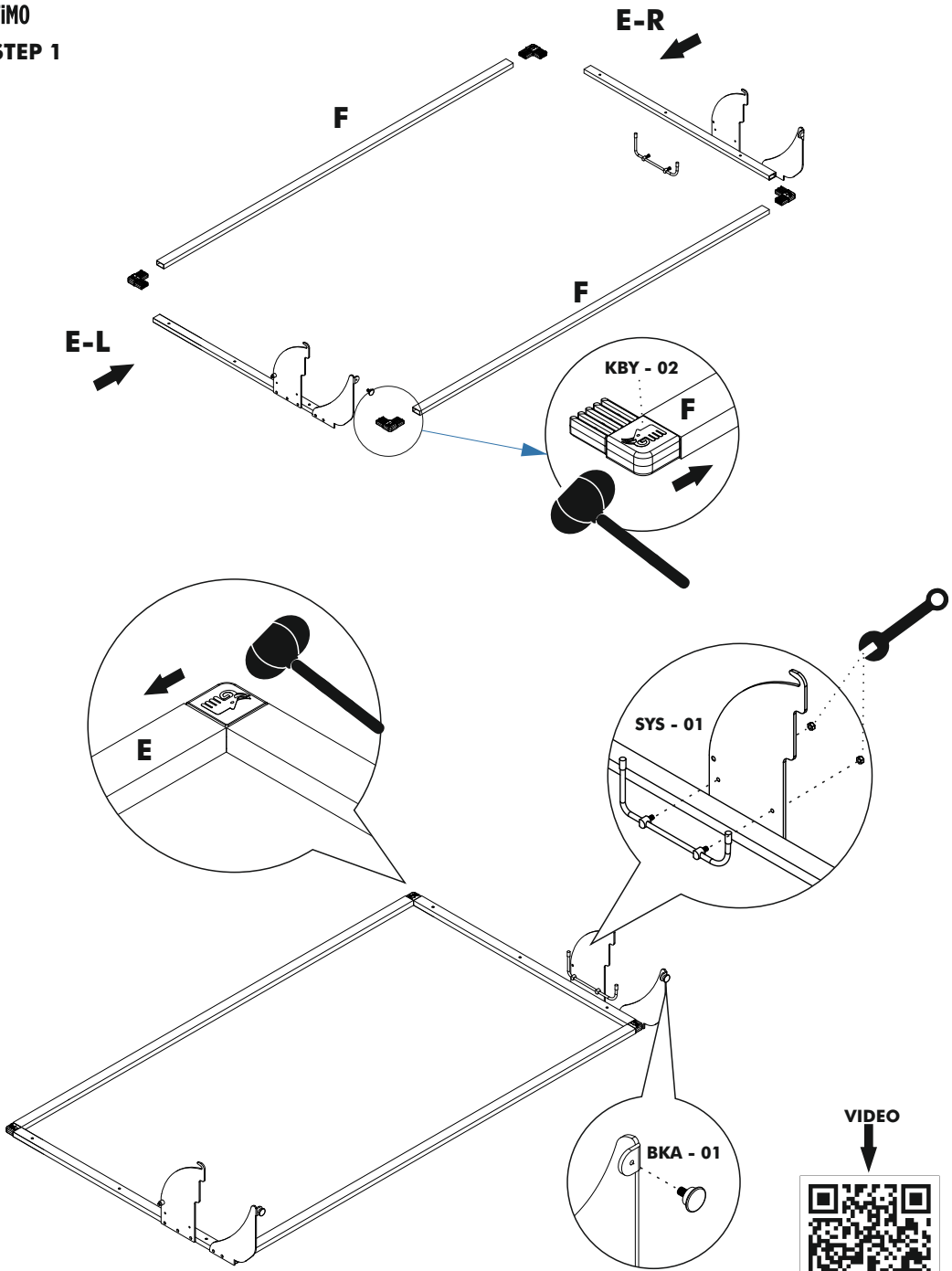
<b>MNX 02</b>  <b>12 / piece</b>	<b>MNG - 01</b>  <b>32 / piece</b>	<b>KVL 01</b>  <b>14 / piece</b>	<b>TAP - 01</b>  <b>32 / piece</b>
<b>SG - 01</b>  <b>4 / piece</b>	<b>MNX - 03</b>  <b>10 / piece</b>	<b>VTB - 02 (4,2x16) mm</b>  <b>36 / piece</b>	<b>TFC - 01(8x70) mm</b>  <b>18 / piece</b>
<b>SC-79</b>  <b>2 / piece</b>	<b>SC-78</b>  <b>2 / piece</b>	<b>AMR 03 (300 N)</b>  <b>2 / piece</b>	<b>DD - 01 ( R10 )</b>  <b>18 / piece</b>
<b>BKA - 01</b>  <b>2 / piece</b>	<b>PL - 04 (5x12x0,7) mm</b>  <b>4 / piece</b>	<b>YSB - 01 ( 3,9x16 ) mm</b>  <b>4 / piece</b>	<b>SC-98</b>  <b>2 / piece</b>
<b>KCE - 01</b>  <b>4 / piece</b>	<b>IM - 02 (6x20) mm</b>  <b>4 / piece</b>	<b>SC-110</b>  <b>14 / piece</b>	<b>KBY- 02</b>  <b>4 / piece</b>
<b>SYS-01</b>  <b>1 / piece</b>	<b>CTM - 01 ( 6x10 ) mm</b>  <b>4 / piece</b>	<b>SKT 01</b>  <b>4 / piece</b>	<b>CTM - 04 ( 8x25 ) mm</b>  <b>4 / piece</b>





MULTIMO

STEP 1

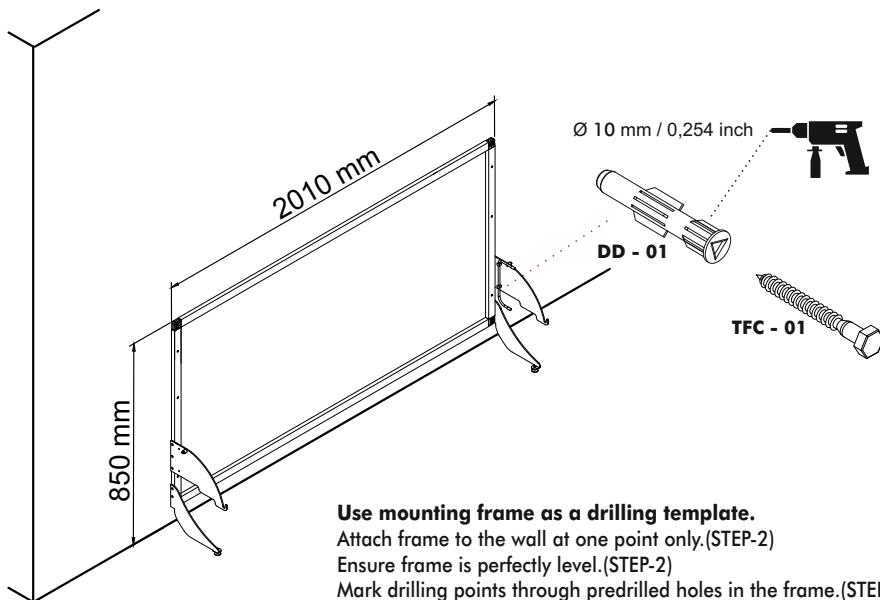




### ATTENTION!!!

Must be secured to the wall made of brick, concrete or similarly strong material.  
 Mounting to wooden or metal studs is also acceptable.  
 Do not mount directly to sheetrock or paper-mache type walls not supported by studs.

## STEP 2



### Use mounting frame as a drilling template.

Attach frame to the wall at one point only.(STEP-2)

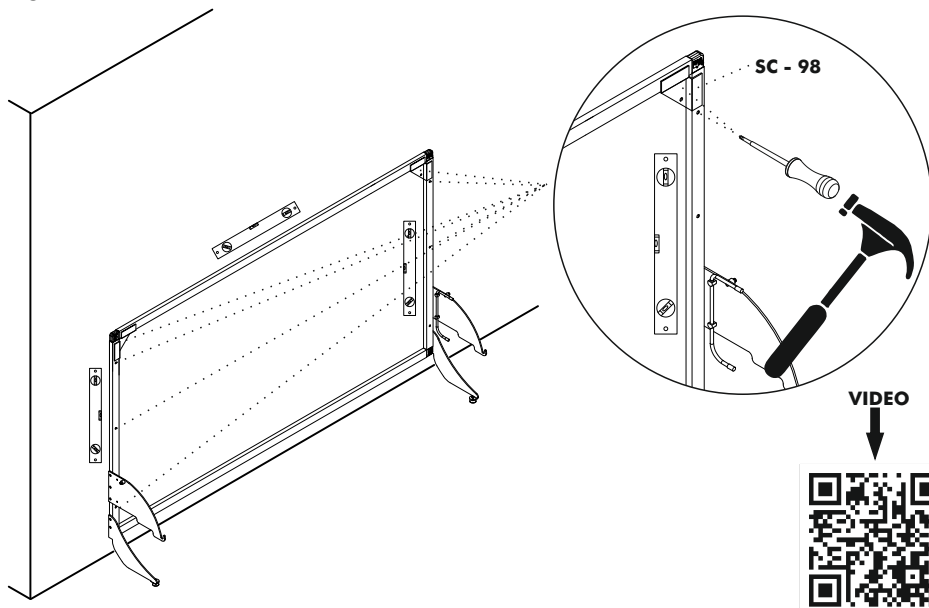
Ensure frame is perfectly level.(STEP-2)

Mark drilling points through predrilled holes in the frame.(STEP-3)

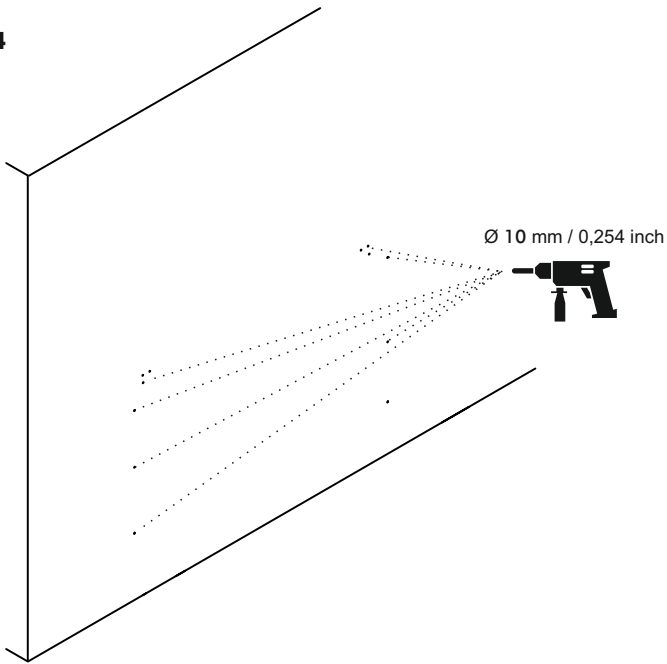
Remove frame from the wall and drill pilot holes in the wall.(STEP-4)

Attach frame to the wall using supplied hardware.(STEP-5-6)

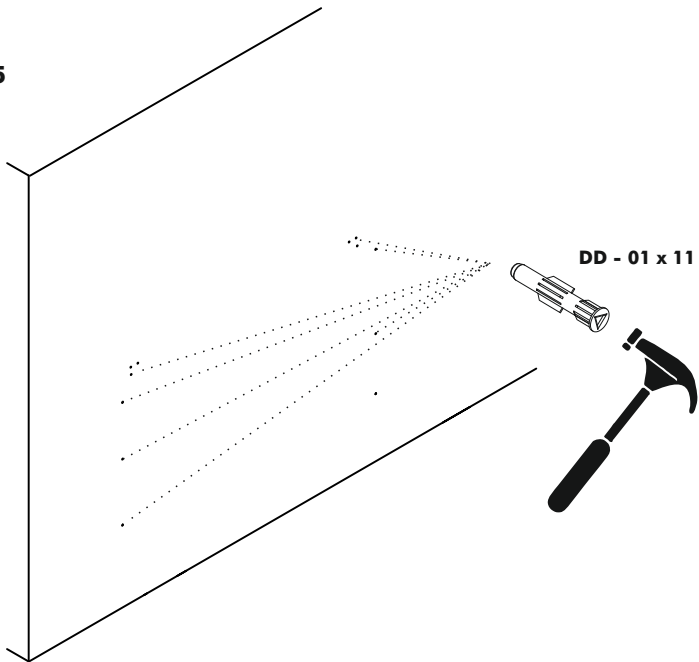
## STEP 3



**STEP 4**



**STEP 5**



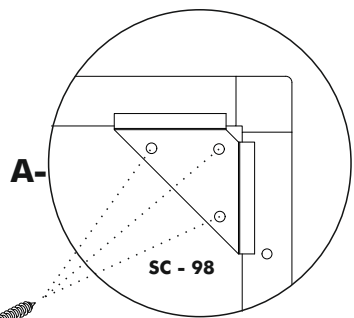
**VIDEO**



[https://youtu.be/ZLobIB\\_9C9g](https://youtu.be/ZLobIB_9C9g)

**STEP 6**

FIRST LOCATE THE STUDS BY USING "STUD FINDER" IN THE WALL AND DRILL IT



**A-**

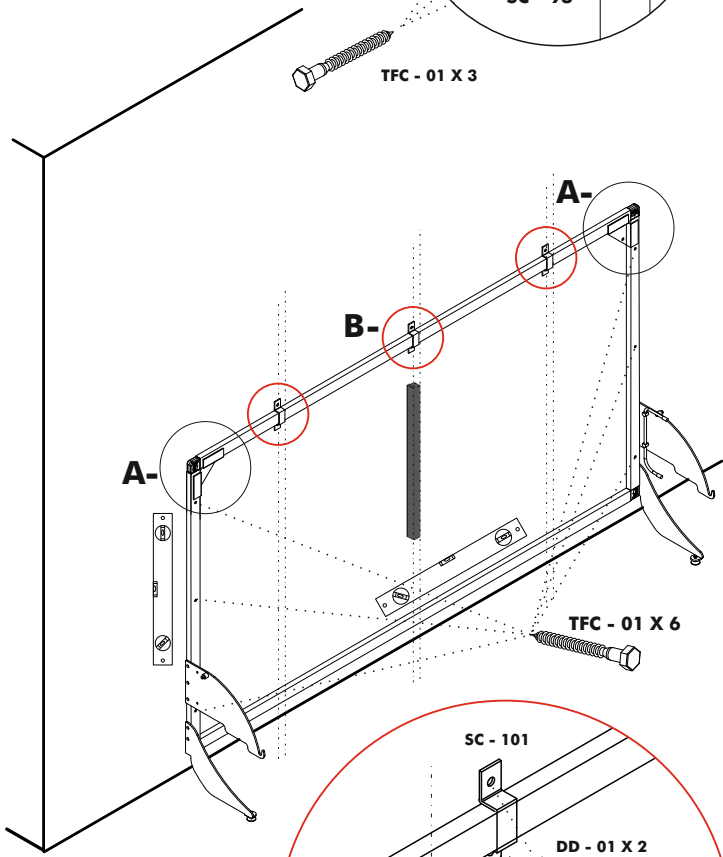
**SC - 98**



**TFC - 01 X 3**



**SC - 101 X 3**

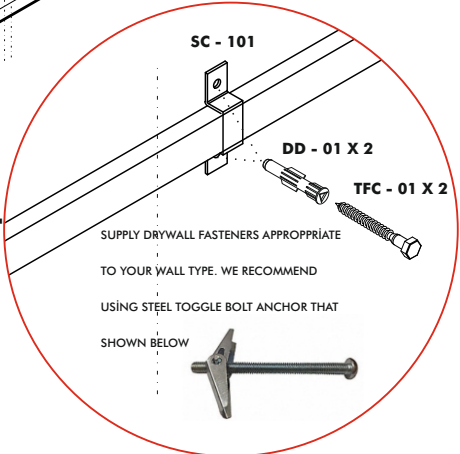


**A-**

**B-**

**A-**

**TFC - 01 X 6**



**SC - 101**

**DD - 01 X 2**

**TFC - 01 X 2**

**B-**

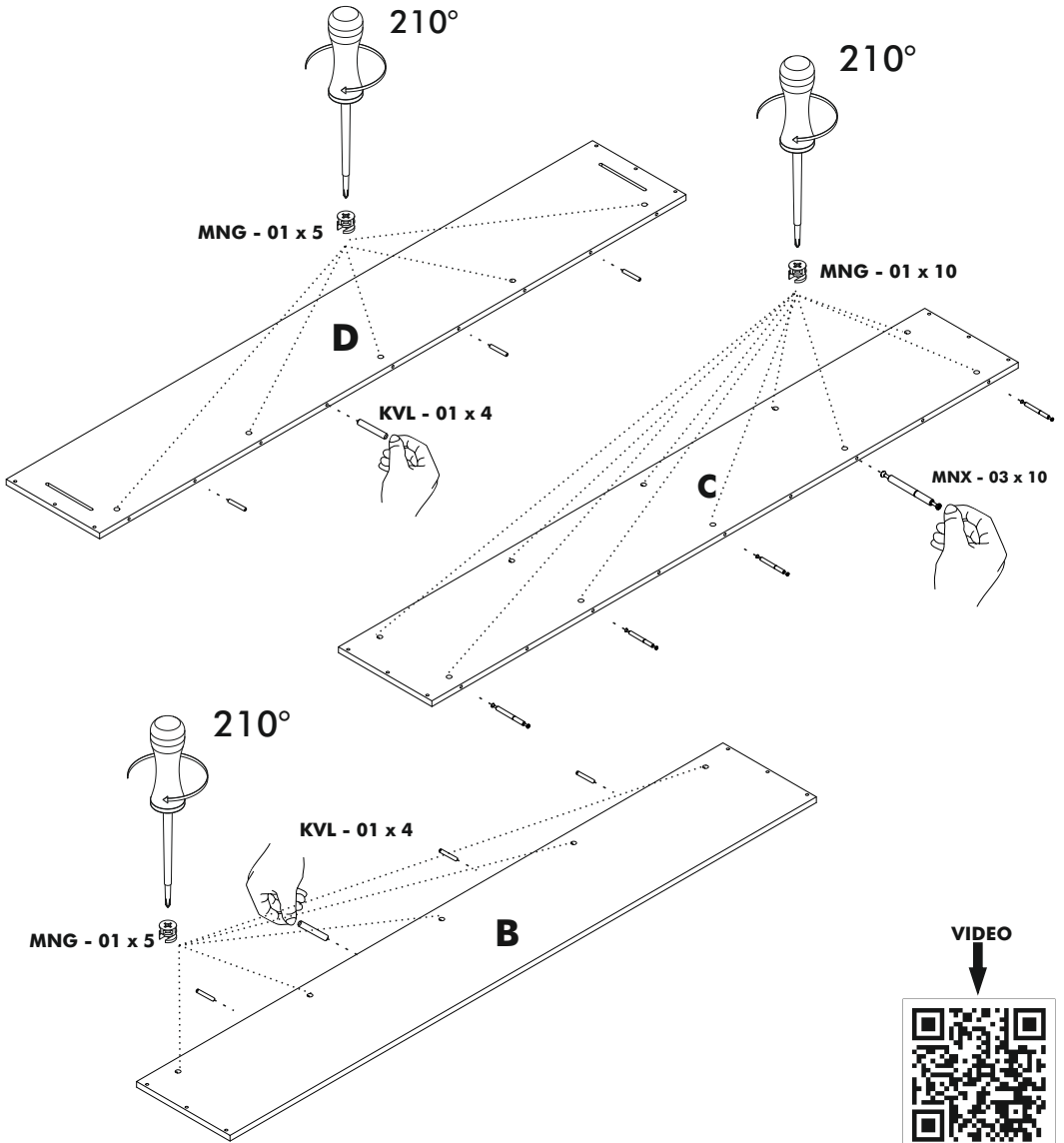
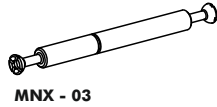
SUPPLY DRYWALL FASTENERS APPROPRIATE TO YOUR WALL TYPE. WE RECOMMEND USING STEEL TOGGLE BOLT ANCHOR THAT SHOWN BELOW



**VIDEO**



### STEP 7

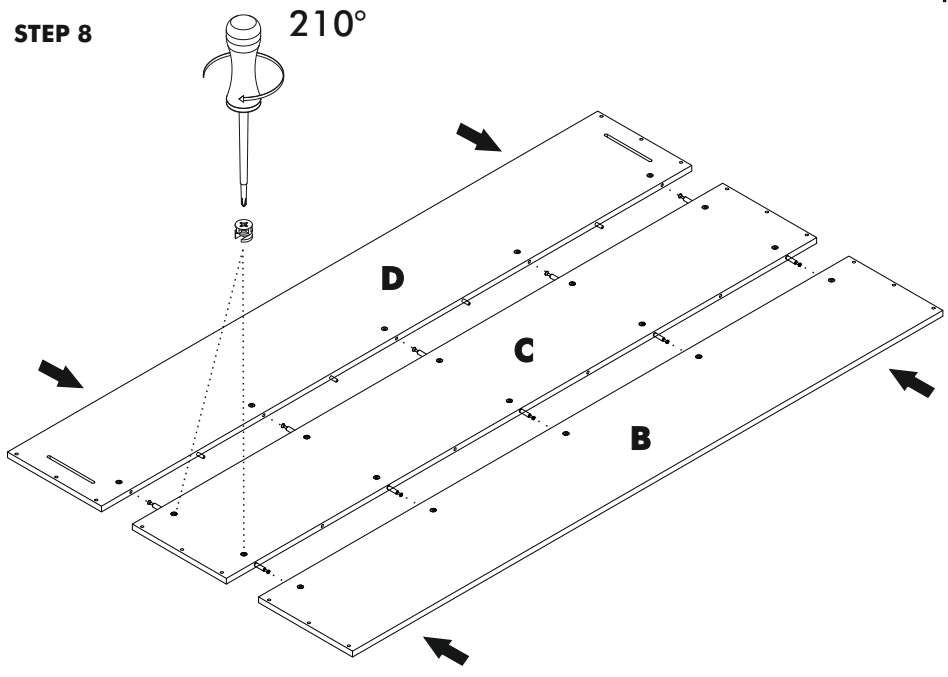


VIDEO

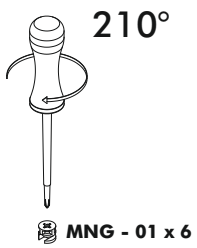
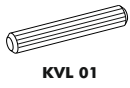




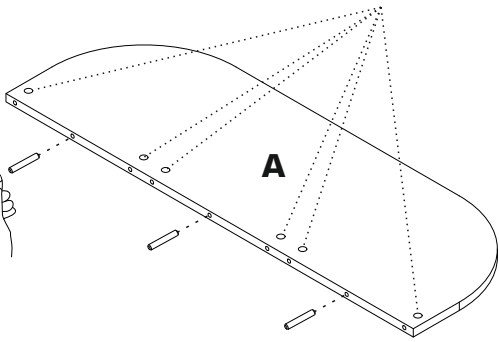
**STEP 8**



**STEP 9**



**KVL - 01 x 3**

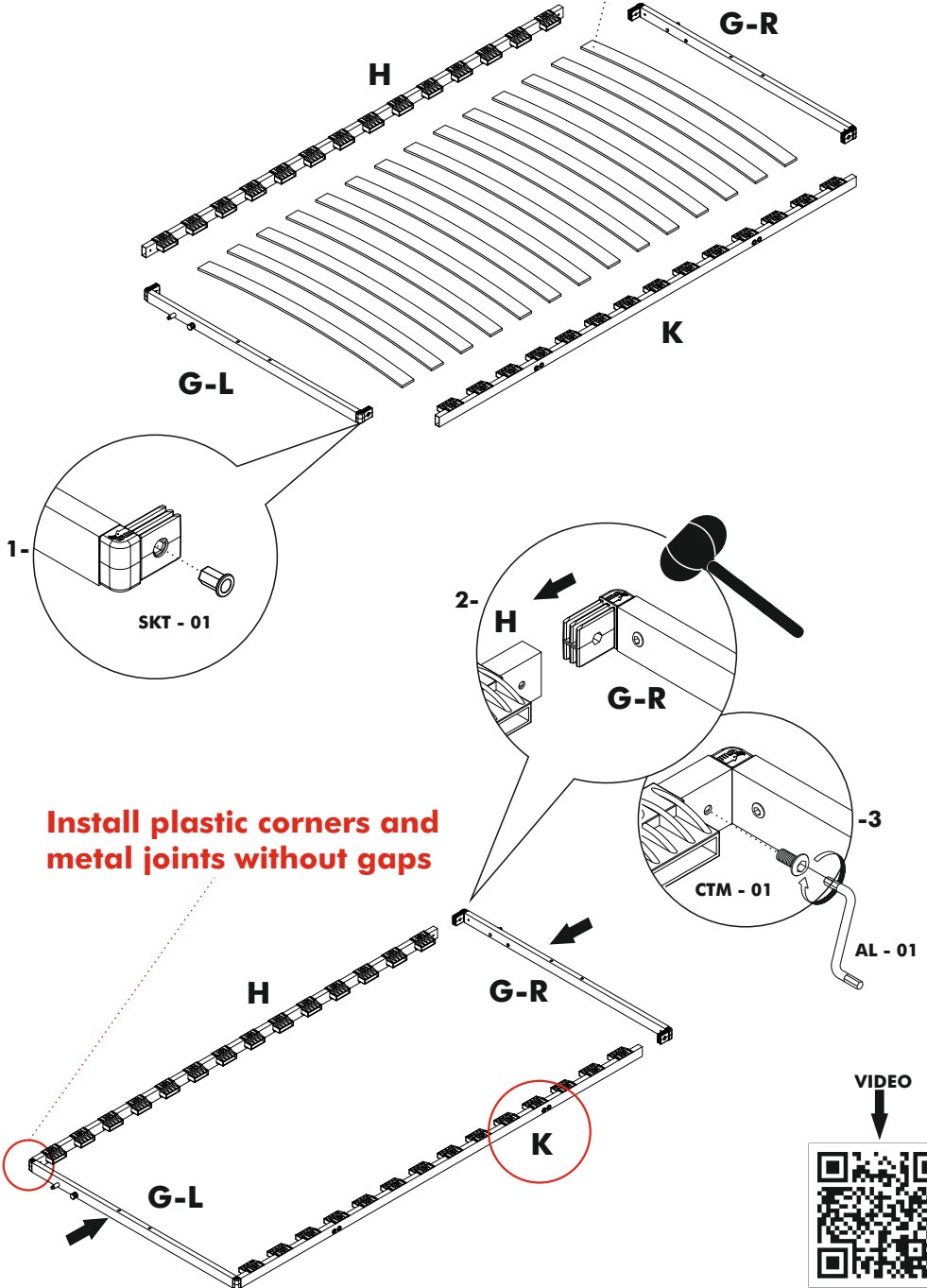


**VIDEO**



STEP 10

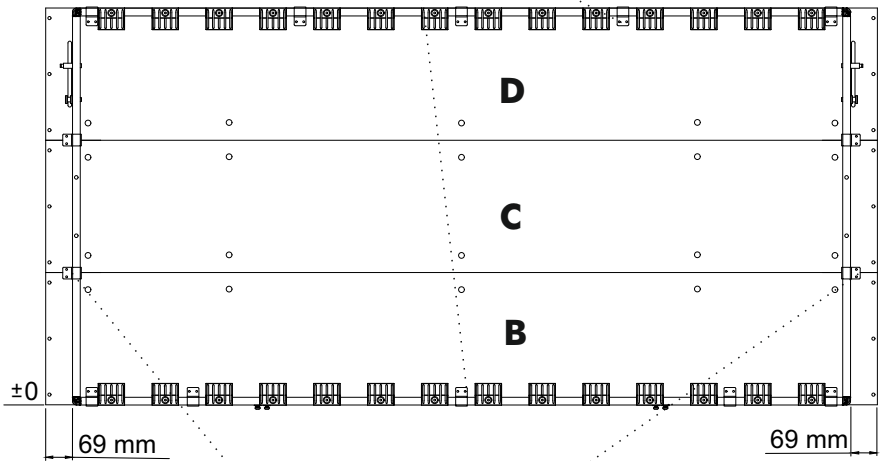
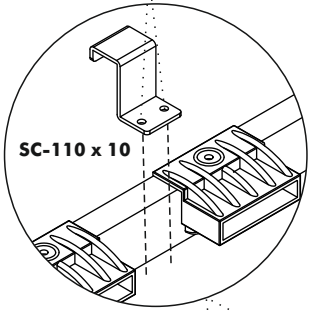
LTA - 01 x 14



**STEP 11**

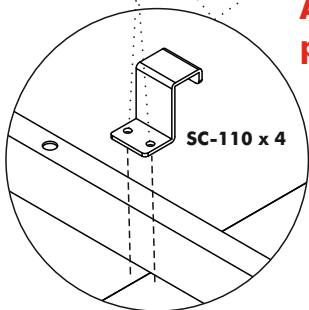
**VTB - 02 x 20**

**Assemble the brackets over the places shown over H,K profiles**



**VTB - 02 x 8**

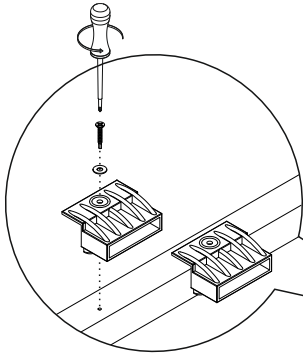
**Assemble the brackets over the places shown over G-L,G-R profiles**



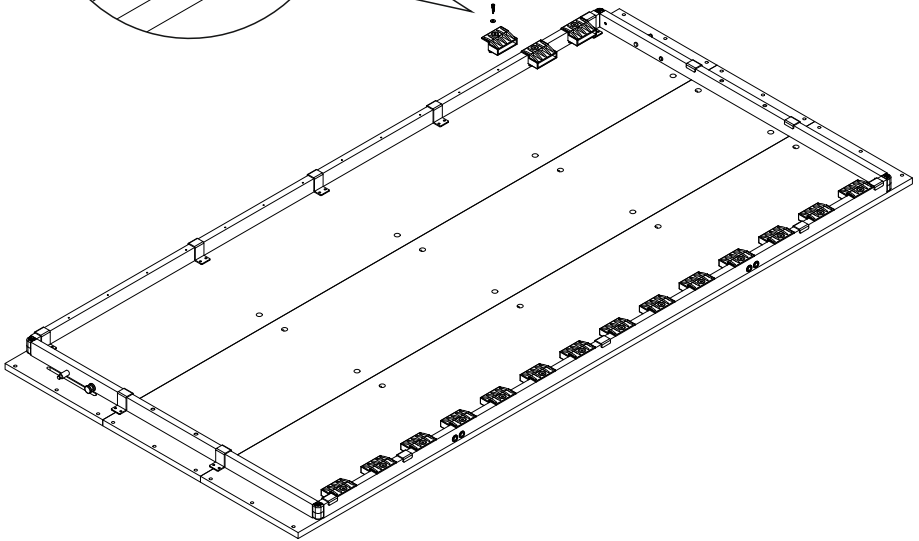
**VIDEO**



STEP 12



**Unscrew the Screws**

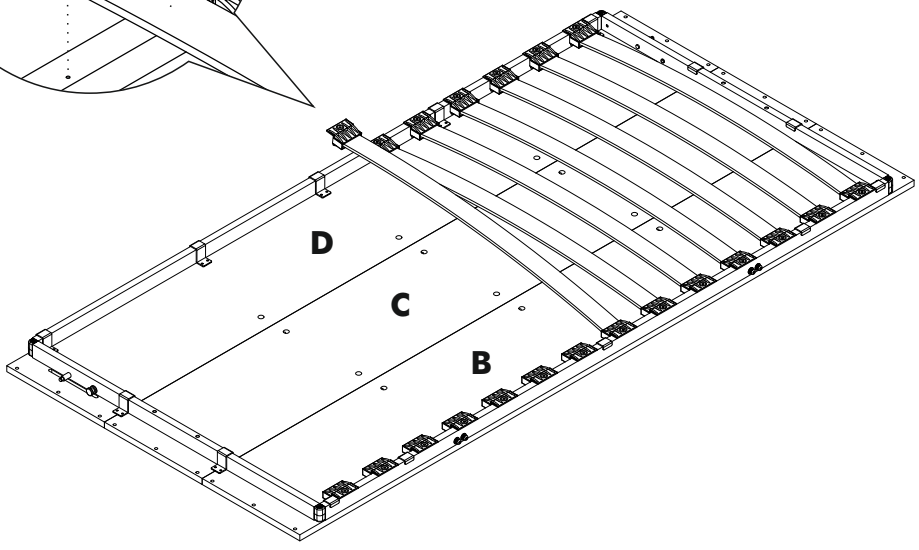
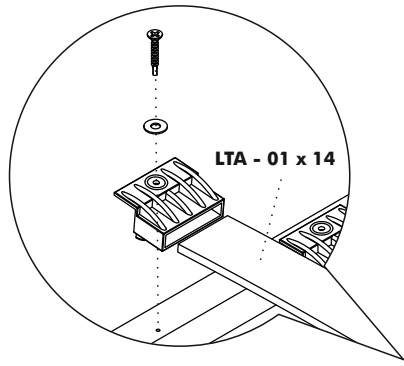


**VIDEO**



<https://youtu.be/V6AFsdNAwRg>

**STEP 13**

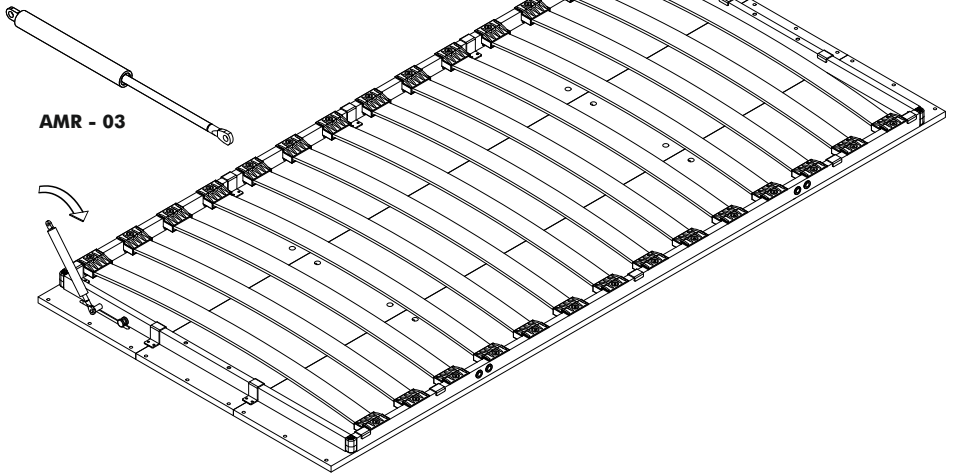


**VIDEO**

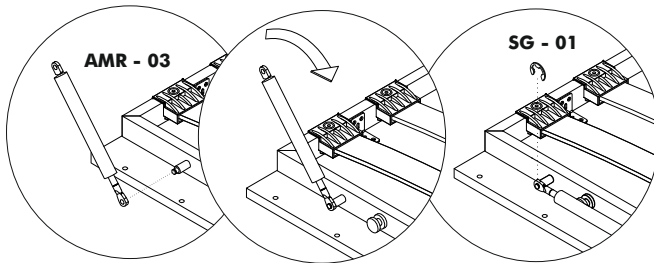


<https://youtu.be/LmG3kcJeflk>

**STEP 14**



**AMR - 03**



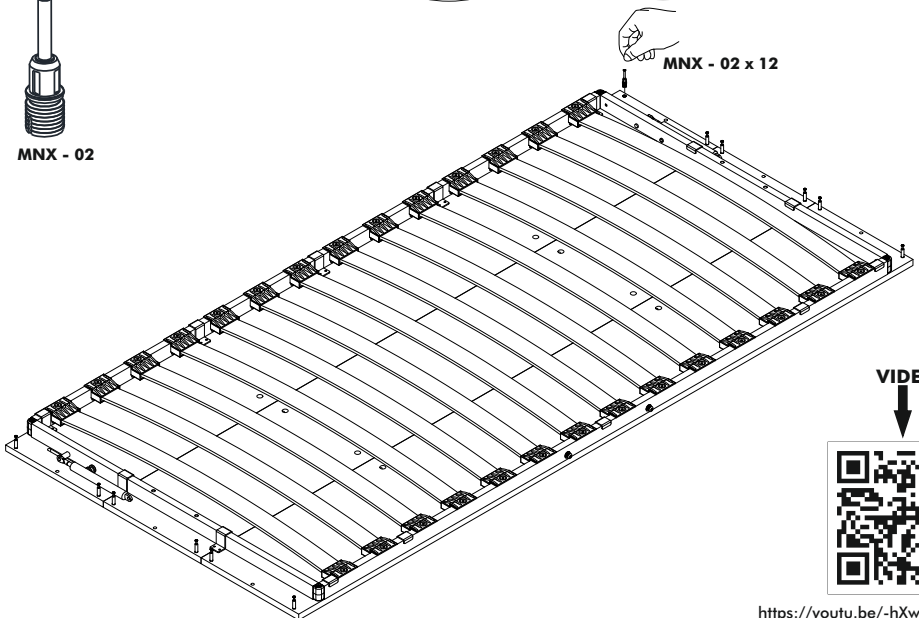
**AMR - 03**

**SG - 01**

**STEP 15**



**MNX - 02**



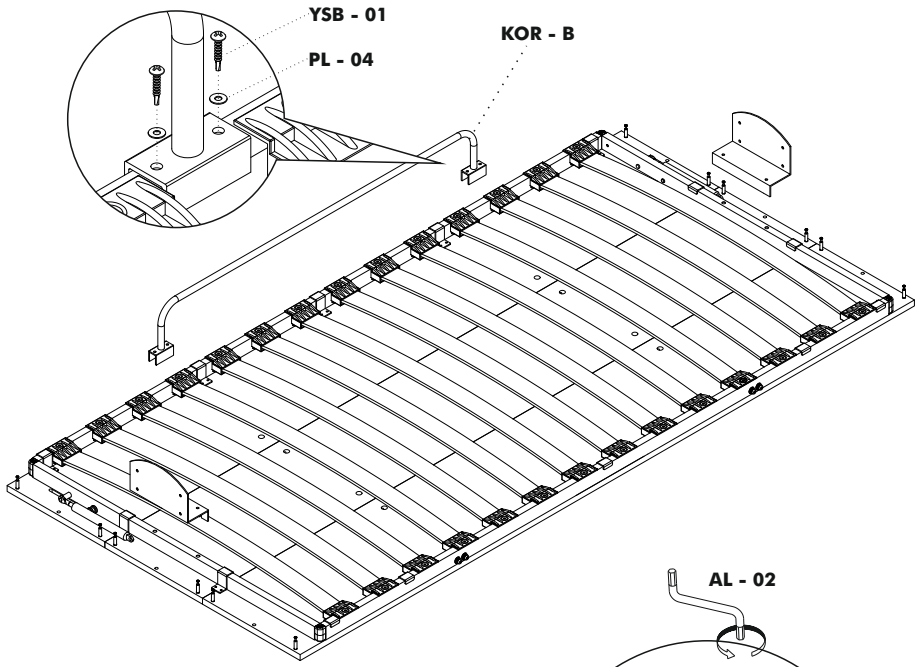
**MNX - 02 x 12**

**VIDEO**

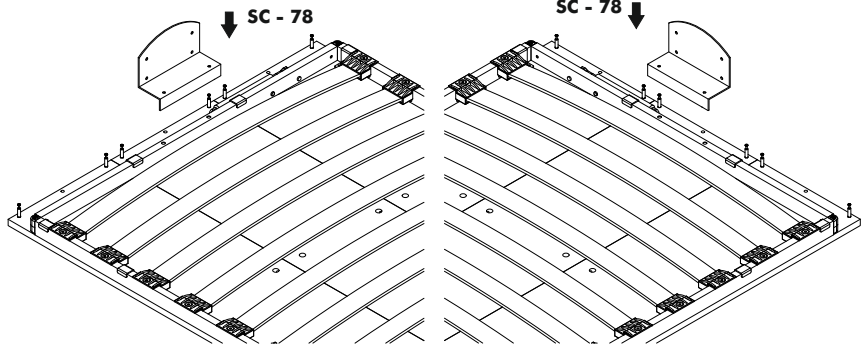
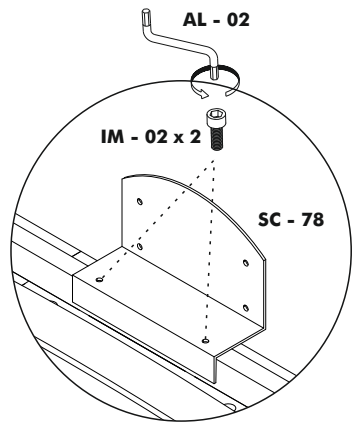


<https://youtu.be/-hXwpV7i9RU>

**STEP 16**



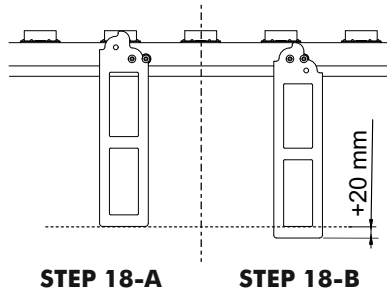
**STEP 17**



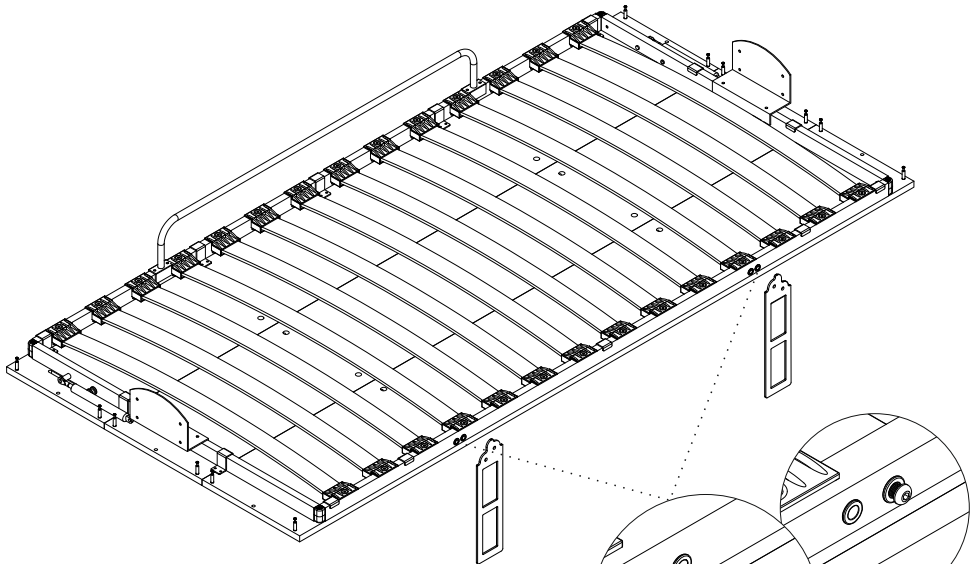
**VIDEO**



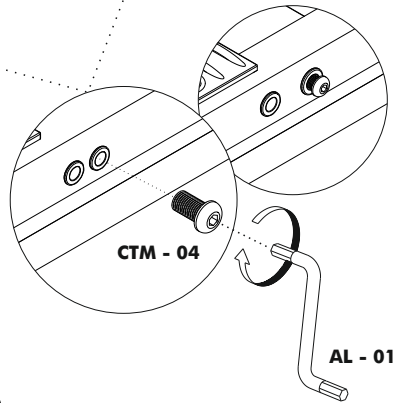
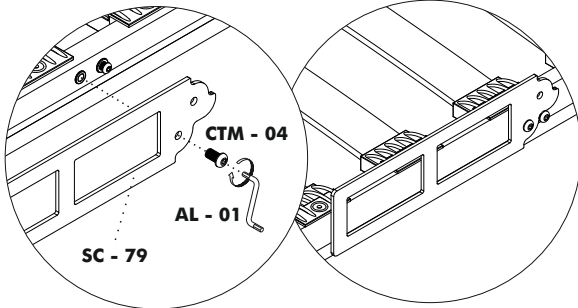
**STEP 18**



Method of application on sloping floors



**STEP 18-A**



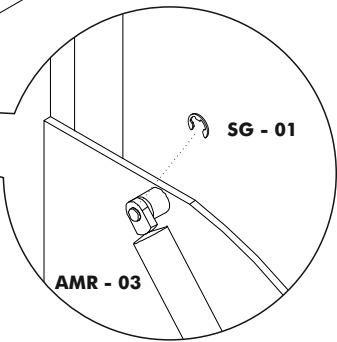
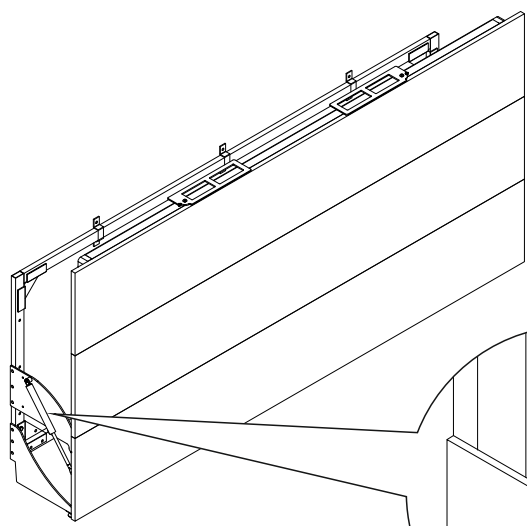
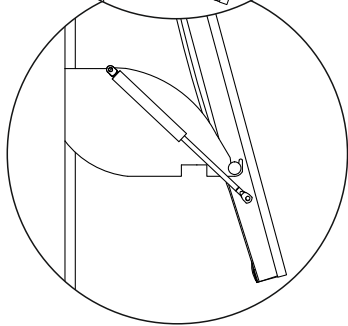
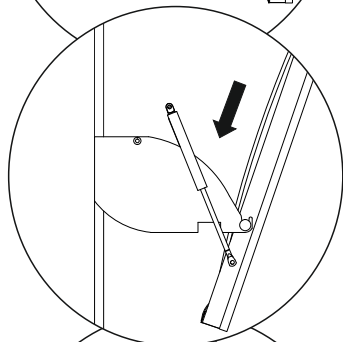
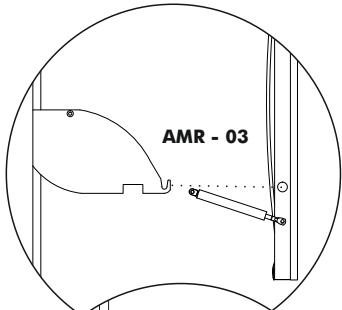
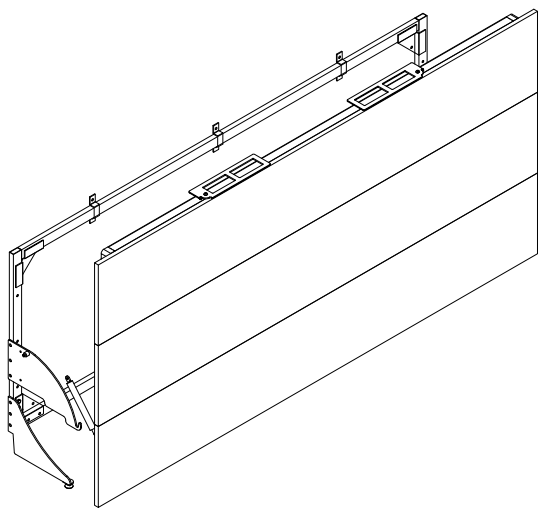
**VIDEO**



<https://youtu.be/EGaL1sYfIF0>



**STEP 19**

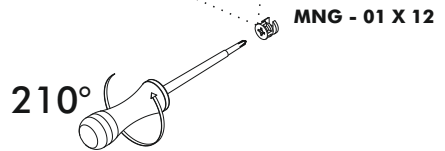
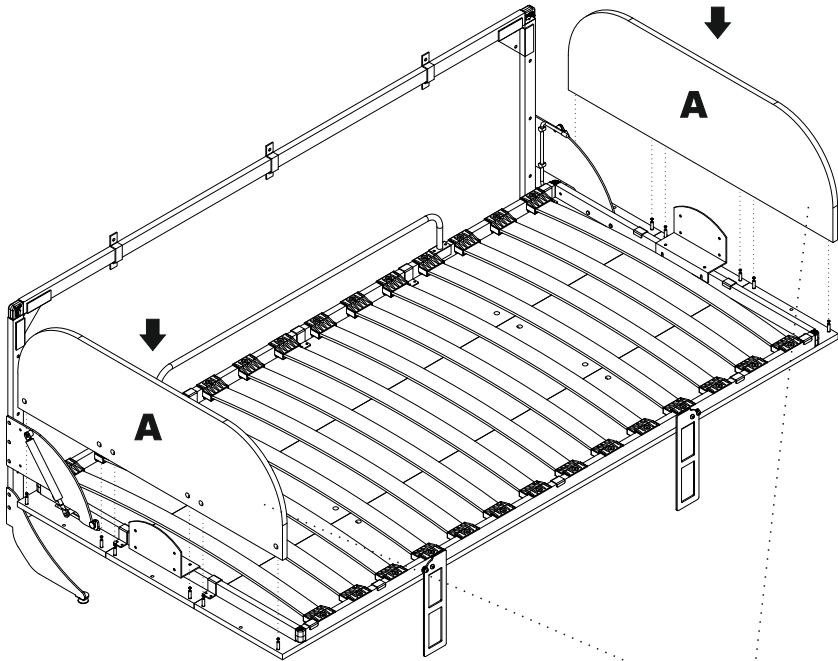


**VIDEO**



<https://youtu.be/upmBP0y0oSI>

STEP 20

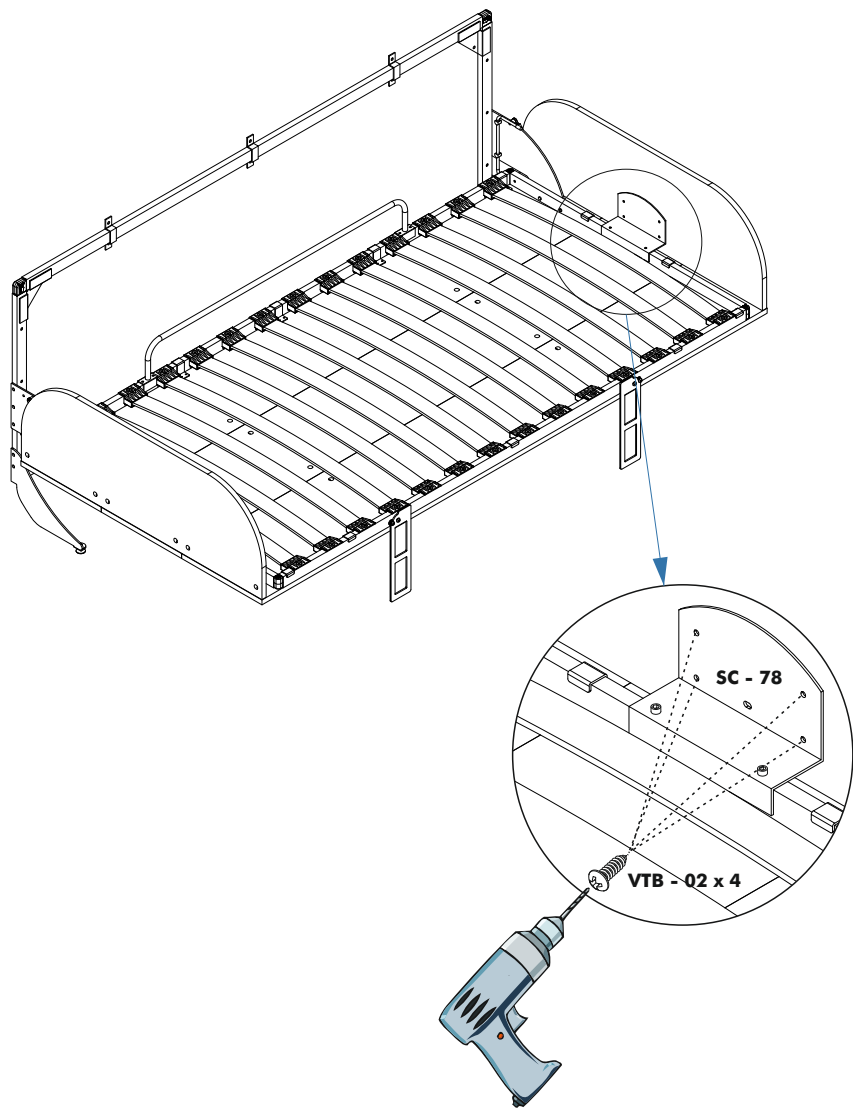


VIDEO



<https://youtu.be/yD7Z9EiV2FM>

**STEP 21**

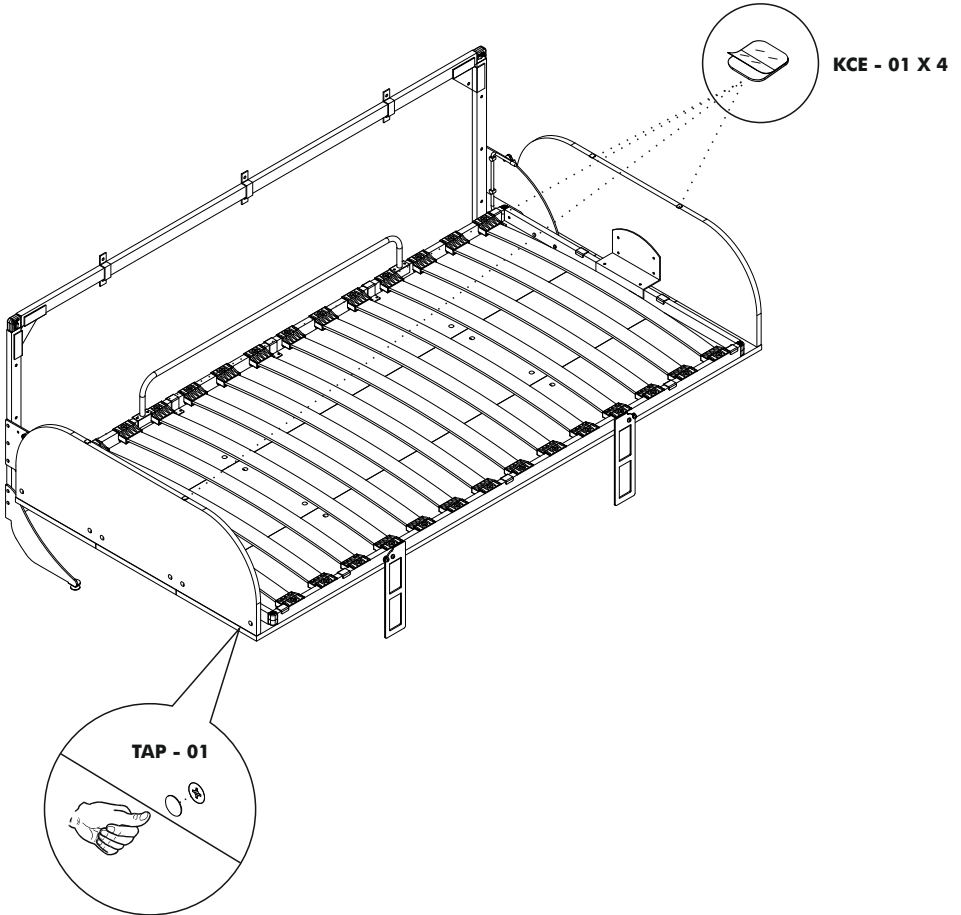


**VIDEO**



[https://youtu.be/gTdJlDfX\\_LE](https://youtu.be/gTdJlDfX_LE)

STEP 22



VIDEO

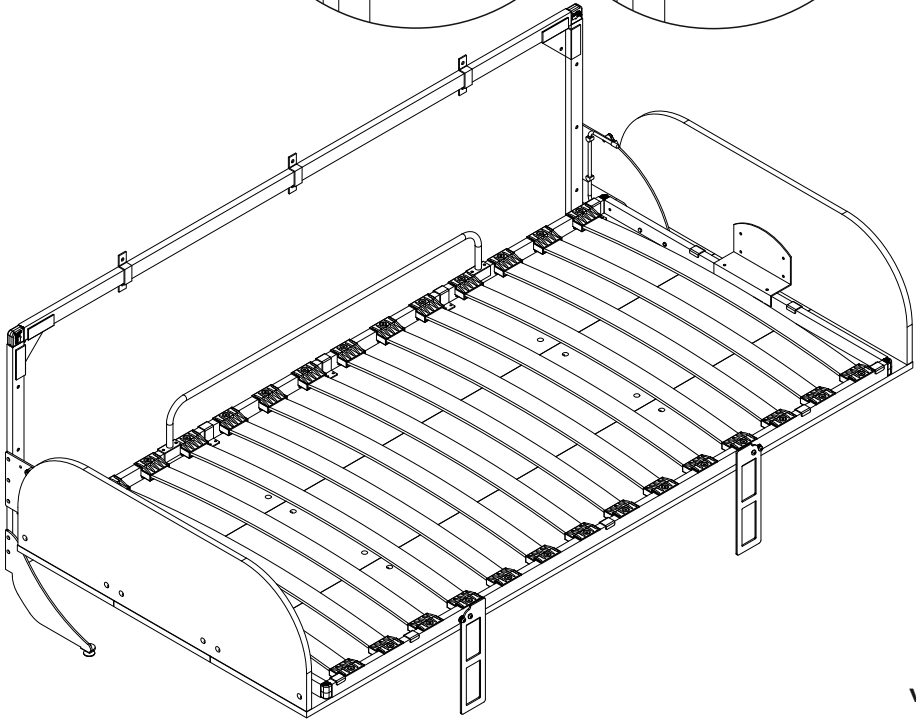
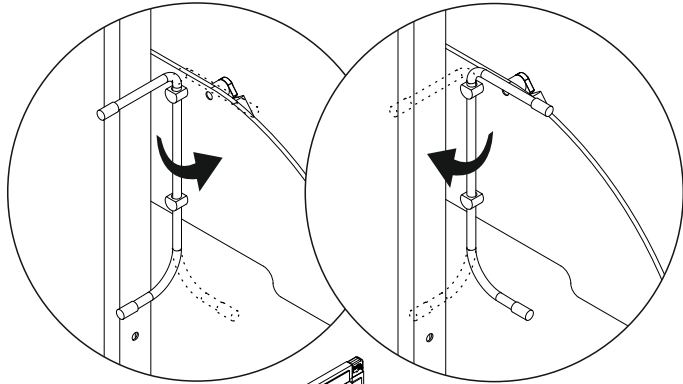


<https://youtu.be/c6WzdVZkD08>

**STEP 23**

**1. BED CLOSED**

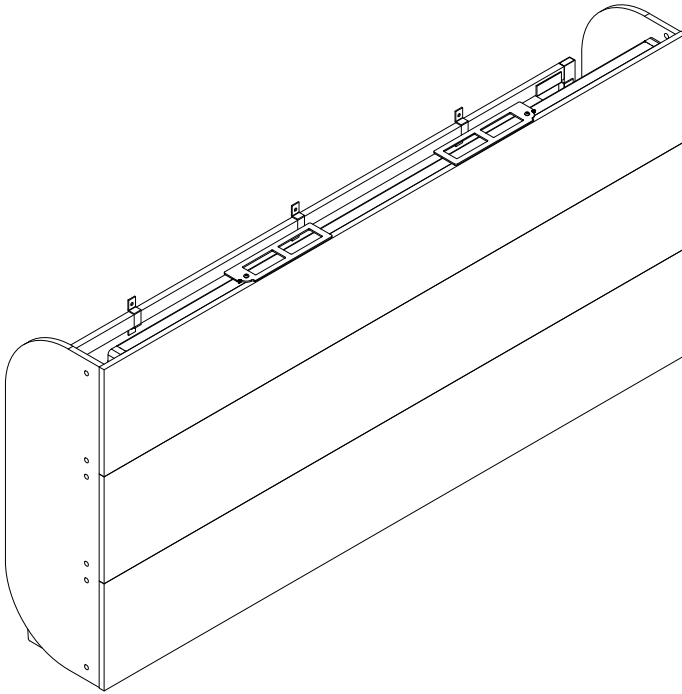
**2. BED OPEN**



**VIDEO**



<https://youtu.be/-926K2b40iA>



1. Wall beds must be securely attached to the wall. Hardware for mounting to concrete, brick or similar strong material is included.
2. When mounting to drywall, wall beds must be attached to wooden or metal studs in 2 or 3 points. Do not mount wall beds directly to drywall or paper-mache type wall without properly attaching it to studs. Please choose appropriate fasteners for the type of wall the bed will be mounted on. Drywall mounting hardware is not included.
3. For safety and product longevity you must periodically inspect the integrity and tightness of the mounting and mechanical connections. Confirm hardware remains properly affixed and connections are snug.
4. Do not lean or rest heavy objects on sides or top of furniture. This may cause balance issues and compromise the integrity of your mounting connections.
5. Please use wall beds and integrated shelves, desks and sofas as intended. Do not jump and/or exceed supported weight limits. Do not sit or lean on integrated shelves and desks. Improper use may cause personal injury and damage to property.
6. With seasonal humidity change please inspect the interior and exterior of the furniture for deformation and/or discoloration.
7. Before any un-mounting or disassembly please contact Multimo Beds for technical support and instructions. Failure to properly detach may result in personal injury and damage to property.



## WARNINGS

### IMPORTANT! HAZARD WARNING!

All Wall Beds contain sophisticated and powerful lifting mechanism. Failure to follow assembly and installation instructions may result in **severe personal injury and damage of the product.**

### SECURE RIGIDLY TO A WALL!

Improper attaching wall bed to a wall will create a tip-over hazard and may result in severe personal injury or even death.  
**ONLY qualified installers should install or remove a wall bed.**



## WARRANTY

### RETAIL RESIDENTIAL TERM

Lifetime guarantee on hardware.  
**5 year** structural guarantee on cabinetry.

### COMMERCIAL TERM

Lifetime guarantee on hardware.  
**2 year** structural guarantee on cabinetry.



[www.multimobeds.com](http://www.multimobeds.com)